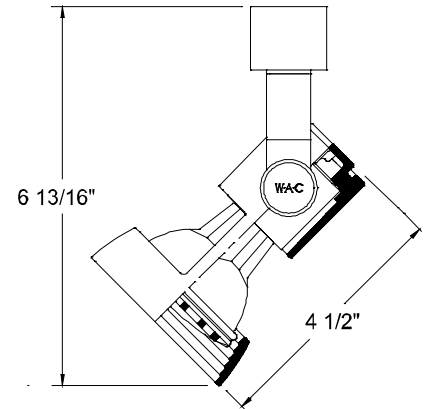
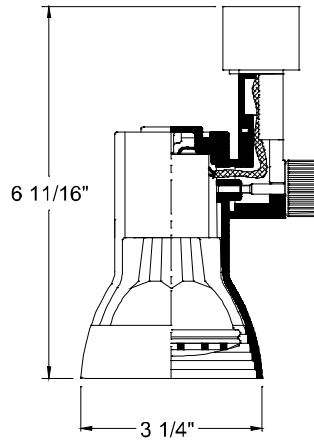


<b>CATALOG NUMBER</b>	<b>TYPE</b>
<b>PROJECT</b>	

**LINE VOLTAGE TRACK HEAD**

**SERIES 753**



**Ordering Matrix**

Model			Series	Finish			
[ ]			[ ]	[ ]			
HTK	JTK	LTK	753	BK	BN/BK	BN/WT	WT

Ordering Example (model – series – finish): HTK-753-BK

**Product Details**

**Description:** Line voltage track head using PAR20 lamps. Designed for use with W.A.C. H, L, J & J2 series track. In addition it may fit other manufacturer's original track (consult factory for specific brands).

**Materials:** Die-cast aluminum track head with die-cast locking knob for aiming and polycarbonate track adaptor. Medium base 250V porcelain socket with nickel-plated copper screw shell.

**Aiming:** 350° horizontal rotation and 90° vertical aiming. The side locking knob maintains aiming angle and fixture position integrity.

**Lamping:** Uses medium base PAR20 lamps, 50W max. 120 volt.

**Systems:** HTK is used with the W.A.C. H system track (HT).  
JTK is used with the W.A.C. J system and J2 system track (JT & J2-T).  
LTK is used with the W.A.C. L system track (LT)

**Finish:** Abrasion resistant power coat paint finish. Available in Black (BK), White (WT), Brushed Nickel with Black track adaptor (BN/BK) and Brushed Nickel with White track adaptor (BN/WT).

**Listing:** UL & CUL Listed. 5 year W.A.C. Lighting product warranty.

**Specification Features**

- Die-cast aluminum fixture with modern styling of the classic gimbal ring design. Compliments any interior space while providing the utmost in flexibility.
- The 753 series track head utilizes the second circuit on the J2 style track with the use of the JClip (ordered separately).
- Line voltage track head extensions are available for the H system, available in 18", 24", 36" and 48" lengths. Add H18, H24, H36 or H48 to ordering code. Ordered as Black or white.