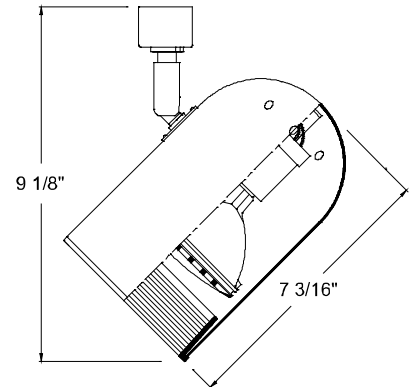
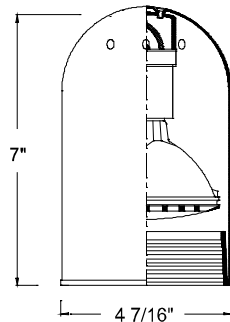


CATALOG NUMBER	TYPE
PROJECT	

LINE VOLTAGE TRACK HEAD **SERIES 718**





Ordering Matrix		
Model	Series	Finish
[]	[]	[]
HTK JTK LTK	718	BK WT

Ordering Example (model – series – finish): HTK-718-WT

Product Details	
Description:	Line voltage track head for use with W.A.C. brand H, L, J & J2 series track systems. In addition it may fit other manufacturer's original track (consult factory for specific brands).
Materials:	Metal track head with black plastic baffle and polycarbonate track adaptor. Medium base 250V porcelain socket with nickel-plated copper screw shell.
Aiming:	350° horizontal rotation and 90° vertical aiming. The ball and hub style aiming allows easy and fine adjustment to the desired angle.
Lamping:	Uses medium base A, PAR30 or R30 lamps, 100W max. 120 volt. Lamps sold separately.
Systems:	HTK is used with the W.A.C. H system track (HT). JTK is used with the W.A.C. J system and J2 system track (JT & J2-T). LTK is used with the W.A.C. L system track (LT)
Finish:	Abrasion resistant Black (BK) and White (WT) paint finish.
Listing:	UL & CUL Listed. 5 year W.A.C. Lighting product warranty.

Specification Features
<ul style="list-style-type: none"> Classic "roundback" style track head provides maximum installation convenience with its ability to work on four different track systems. The 718 series track head utilizes the second circuit on the J2 style track with the use of the JClip (ordered separately). Line voltage track head extensions are available for the H system, available in 18", 24", 36" and 48" lengths. Add H18, H24, H36 or H48 to ordering code. Ordered as Black or white.

Compatible Accessories	
<p>JCLIP Ordered when using track heads on 2nd circuit of J2 style track.</p>  <p>Order as JCLIP</p>	<p>Line Voltage Extensions Extend HTK-718 track heads. Available in 18", 24", 36", 48"</p>  <p>Order as H(<i>length</i>)</p>

W.A.C. Lighting reserves the right to modify the design of our products as part of our continuous improvement program.