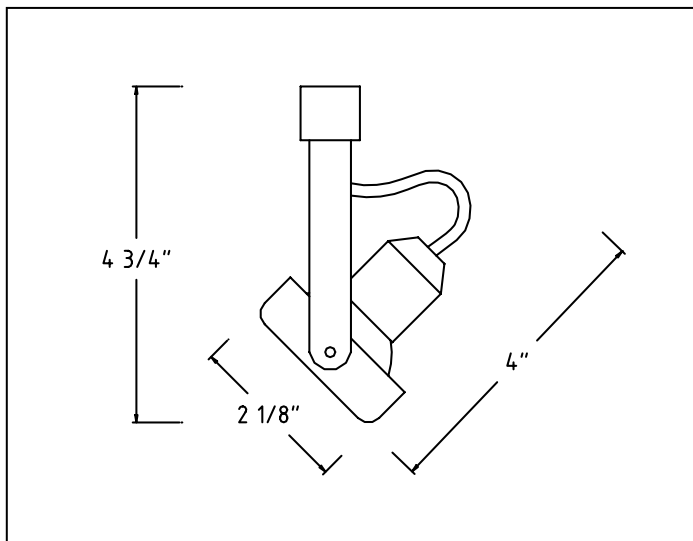
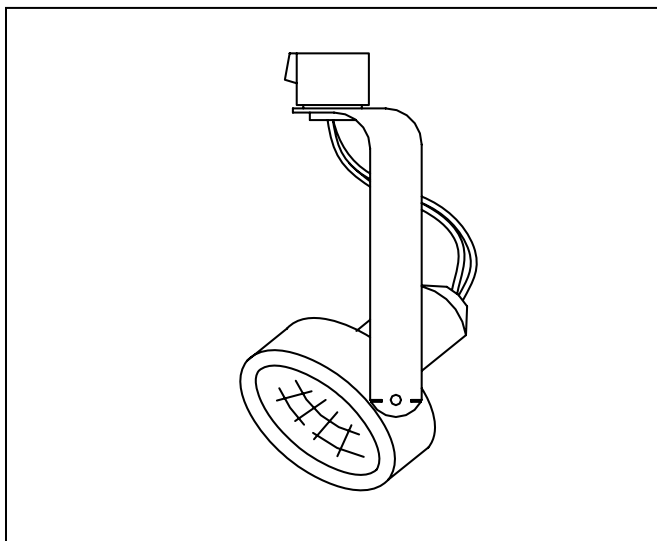


MODEL NO. : SF-216



- SOCKET** : CERAMIC BI-PIN
- AIMING** : 90° VERTICAL AND 180° AIMING
- MATERIAL** : POWDER-COATED STEEL
- ACCESSORIES** : COLOR LENSES, UV LENS, SPREAD LENS, BEAM ELONGATING LENS,
- LISTING** : UL, C-UL LISTED, AND NEW YORK CITY APPROVED

MODEL	FINISH	WATTAGE
SF-216-BK	BLACK	MR16 50 WATT MAX
SF-216-WT	WHITE	MR16 50 WATT MAX
SF-216-BN/BK	BRUSHED NICKEL/BLACK ADAPTER	MR16 50 WATT MAX
SF-216-BN/WT	BRUSHED NICKEL/WHITE ADAPTER	MR16 50 WATT MAX

LINEAR SYSTEM FIXTURES ARE ONLY COMPATIBLE WITH W.A.C ST-TRACK.