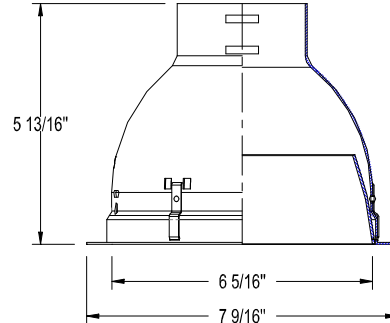


<b>CATALOG NUMBER</b>	<b>TYPE</b>
<b>PROJECT</b>	

**6" PREMIUM DOWNLIGHT TRIM** **R6VT-27**



Ordering Matrix			
Series	Model Number	Finish	
R6VT	27	SC	WT

Ordering Example (series – model number – finish): R6VT-27-WT

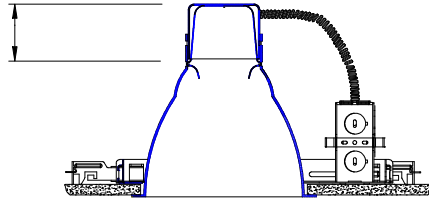
Product Details	Specification Features
<p><b>Application:</b> Ceiling down light trim, 1-inch maximum ceiling thickness. Provides smooth broad area illumination without shadows. Used with incandescent or fluorescent lamp housings.</p> <p><b>Materials:</b> One-piece spun aluminum construction. Integral trim ring is painted white, interior reflector is anodized aluminum. Trim is retained to socket via spring clips.</p> <p><b>Finish:</b> SC = Specular Clear baffle with White trim WT = White baffle with White trim</p> <p><b>Ratings:</b> UL &amp; CUL listed.</p>	<ul style="list-style-type: none"> <li>Suitable for damp locations</li> <li>5 year WAC Lighting product warranty.</li> </ul>

Compatible Housings ( sold separately)					
<p><b>R6VI-B-ICA</b> Insulation Contact &amp; Air Tight New Construction Incandescent Lamp: A19 100W PAR38 100W</p> 	<p><b>R6VF-113Q*</b> Non IC Frame-in Style New Construction Fluorescent Lamp: Quad 13W G24Q-1</p> 	<p><b>R6VF126/32T*</b> Non IC Frame-in Style New Construction Fluorescent Lamp: Tri-Tube 26/32W GX24Q-3</p> 			
<p><b>R6VI</b> Non IC Frame-in Style New Construction Incandescent Lamp: A21 150W BR30 85W</p> 	<p><b>R6VI-R-ICA</b> Insulation Contact &amp; Air Tight Remodeling Incandescent Lamp: A19 100W PAR38 100W</p> 	<p><b>R6VI-ICA</b> Insulation Contact &amp; Air Tight New Construction Incandescent Lamp: A19 100W PAR38 100W</p> 			

\*Housing available in emergency version. Specify "EM" as suffix.

<b>CATALOG NUMBER</b>	<b>TYPE</b>
<b>PROJECT</b>	

**6" PREMIUM DOWNLIGHT TRIM** **R6VT-27**



Socket cup adds a maximum of 2 1/8" to the height of the trim when used with frame in kits.