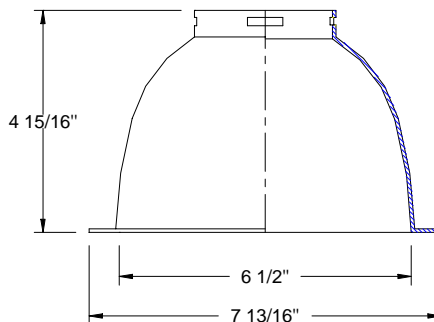


CATALOG NUMBER	TYPE
PROJECT	

6" PREMIUM DOWNLIGHT TRIM **R6VT-22**



Ordering Matrix		
Series	Model Number	Finish
R6VT	22	SC

Ordering Example (series – model number – finish): R6VT-22-SC

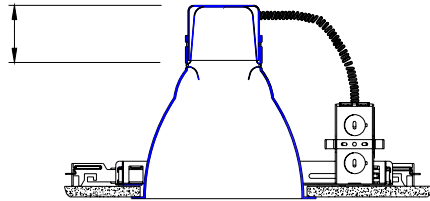
Product Details		Specification Features	
Application:	Ceiling down light trim, 1-inch maximum ceiling thickness. Provides smooth broad area illumination without shadows. Used with incandescent or fluorescent lamp housings.	<ul style="list-style-type: none"> Suitable for damp locations 5 year WAC Lighting product warranty. 	
Materials:	One-piece spun aluminum construction. Integral trim ring is painted white, interior reflector is anodized aluminum. Trim is retained to socket via spring clips.		
Finish:	SC = Specular Clear baffle with White trim		
Ratings:	UL & CUL listed.		

Compatible Housings (sold separately)					
R6VI-B-ICA Insulation Contact & Air Tight New Construction Incandescent Lamp: A19 100W		R6VF-113Q* Non IC Frame-in Style New Construction Fluorescent Lamp: Quad 13W G24Q-1		R6VF-126/32T* Non IC Frame-in Style New Construction Fluorescent Lamp: Tri-Tube 26/32W GX24Q-3	
R6VI Non IC Frame-in Style New Construction Incandescent Lamp: A19 100W		R6VI-R-ICA Insulation Contact & Air Tight Remodeling Incandescent Lamp: A19 75W PAR30 75W		R6VI-ICA Insulation Contact & Air Tight New Construction Incandescent Lamp: A19 75W PAR30 75W	

*Housing available in emergency version. Specify "EM" as suffix.

CATALOG NUMBER	TYPE
PROJECT	

6" PREMIUM DOWNLIGHT TRIM **R6VT-22**



Socket cup adds a maximum of 2 1/8" to the height of the trim when used with frame in kits.