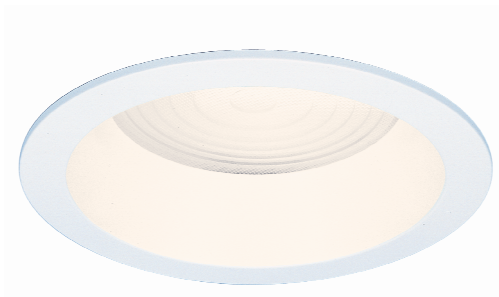
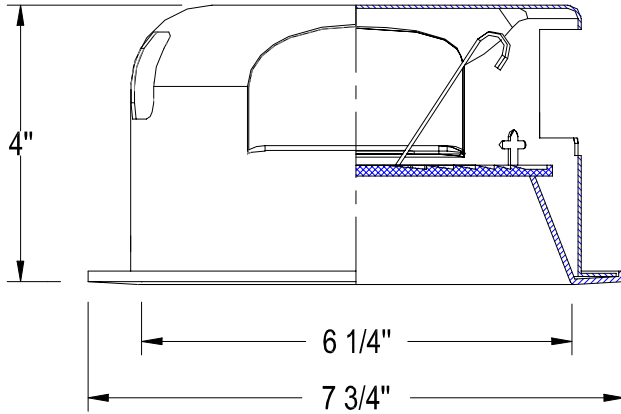


REGRESSED FRESNEL LENS / SHOWER

MODEL R6HT-24



Recessed 6" Horizontal Trim

Ordering information

R6HT	-	24	-	
Series		Trim Number		Finish
R6HT				WT - White
Recessed 6 inch Horizontal Trim				

Compatible Housings

<p>R6HF-213Q* Non IC Frame-in Style New Construction Fluorescent Lamp: (2) Quad 13W G24Q-1</p>		<p>R6HF-218Q* Non IC Frame-in Style New Construction Fluorescent Lamp: (2) Quad 18W G24Q-2</p>		<p>R6HF-226Q* Non IC Frame-in Style New Construction Fluorescent Lamp: (2) Quad 26W G24Q-3</p>	
--	--	--	--	--	--

*Housing available in emergency version. Specify "EM" as suffix.

Product Features

Application: Low profile ceiling down light trim, 1-inch maximum ceiling thickness. Recessed lens minimizes glare. Used with fluorescent lamp housings.

Material: One-piece spun aluminum construction. Integral trim ring is painted white, lens bezel is spun aluminum painted matt white, glass lens. Socket retained to trim spring clips.

Listing

UL & CUL listed. Suitable for wet locations with covered ceilings.

W.A.C. reserves the right to change details that do not affect overall function and performance.

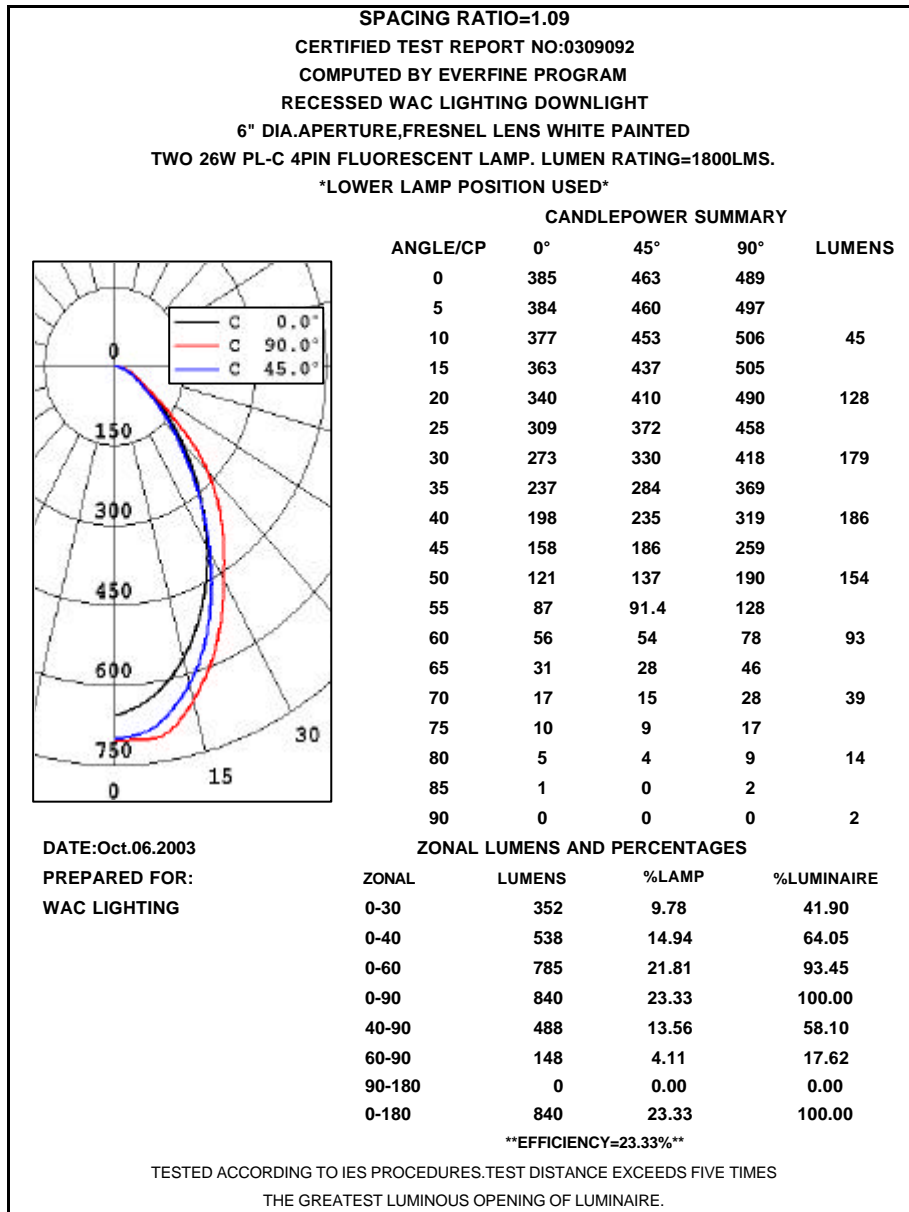


R6VT-24

WAC Lighting
Recessed
Downlight

6" Aperture
Fresnel Lens White Painted
Reflector Trim

Type:



Pcc	80%			70%			50%			30%			10%			0
Pw	50%	30%	10%	50%	30%	10%	50%	30%	10%	50%	30%	10%	50%	30%	10%	0
Pfc	20%			20%			20%			20%			20%			0
RCR	Coefficients of Utilization															
0	.28	.28	.28	.27	.27	.27	.26	.26	.26	.25	.25	.25	.24	.24	.24	.23
1	.25	.24	.24	.25	.24	.24	.24	.23	.23	.23	.22	.22	.22	.22	.21	.21
2	.23	.21	.21	.22	.21	.21	.21	.21	.20	.21	.20	.20	.20	.19	.19	.18
3	.20	.19	.18	.20	.19	.18	.19	.18	.18	.19	.18	.17	.18	.17	.17	.16
4	.19	.17	.16	.18	.17	.16	.18	.16	.16	.17	.16	.16	.17	.16	.15	.14
5	.17	.15	.14	.17	.15	.14	.16	.15	.14	.16	.14	.14	.15	.14	.14	.13
6	.15	.14	.13	.15	.14	.13	.15	.13	.13	.14	.13	.13	.14	.13	.12	.12
7	.14	.12	.12	.14	.12	.12	.14	.12	.12	.13	.12	.11	.13	.12	.11	.10
8	.13	.11	.11	.13	.11	.11	.13	.11	.11	.12	.11	.10	.12	.11	.10	.10
9	.12	.10	.10	.12	.10	.10	.12	.10	.10	.11	.10	.10	.11	.10	.10	.09
10	.11	.10	.09	.11	.10	.09	.11	.09	.09	.11	.09	.09	.11	.09	.09	.08