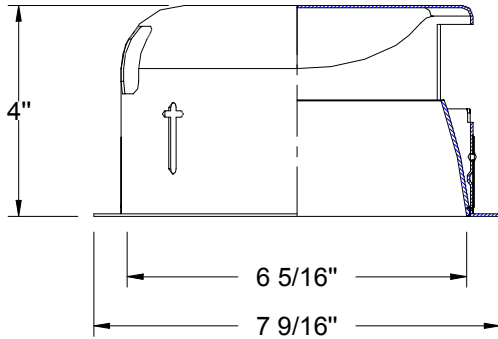


**SPECULAR REFLECTOR**

**MODEL R6HT-21**



**Recessed 6" Horizontal Trim**

**Ordering information**

R6HT	-	21	-	
Series		Trim Number		Finish

**R6HT**

Recessed 6 inch Horizontal Trim

SBK-Specular Black  
 SC-Specular Clear  
 SG-Specular Gold

**Compatible Housings**

<p><b>R6HF-213Q*</b>                  Non IC Frame-in Style                  New Construction                  Fluorescent  <b>Lamp:</b> (2) Quad 13W                  G24Q-1</p>		<p><b>R6HF-218Q*</b>                  Non IC Frame-in Style                  New Construction                  Fluorescent  <b>Lamp:</b> (2) Quad 18W                  G24Q-2</p>		<p><b>R6HF-226Q*</b>                  Non IC Frame-in Style                  New Construction                  Fluorescent  <b>Lamp:</b> (2) Quad 26W                  G24Q-3</p>	
---	--	---	--	---	--

\*Housing available in emergency version. Specify "EM" as suffix.

**Product Features**

**Application:** Low profile ceiling down light trim, 1-inch maximum ceiling thickness. Provides broad area illumination. Used with fluorescent lamp housings.

**Material:** One-piece aluminum construction. Integral trim ring is painted white, interior reflector is anodized aluminum. Socket retained to trim spring clips.

**Listing**

UL & CUL listed. Suitable for damp locations.

W.A.C. reserves the right to change details that do not affect overall function and performance.

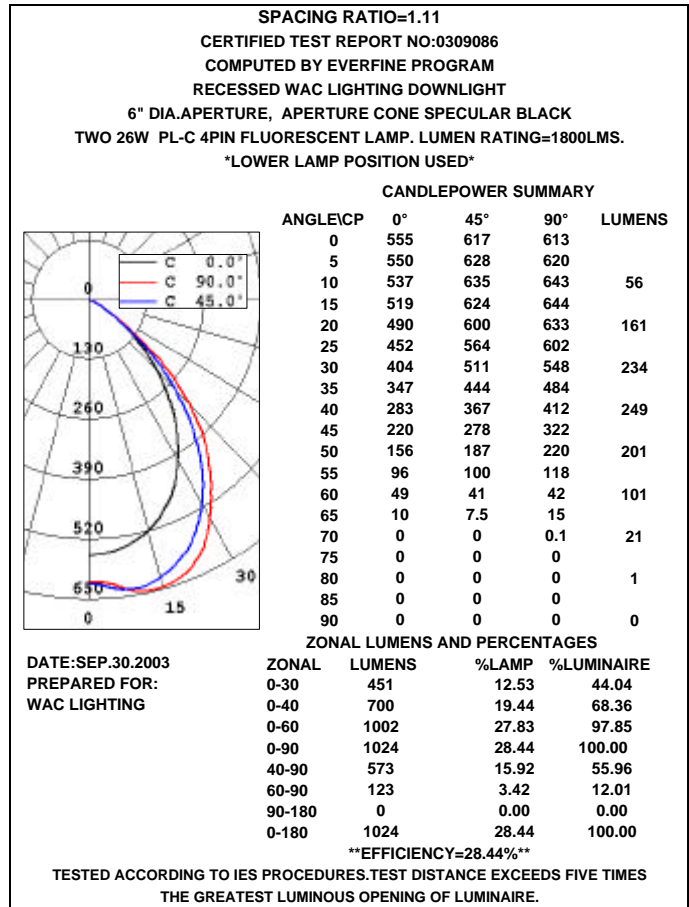
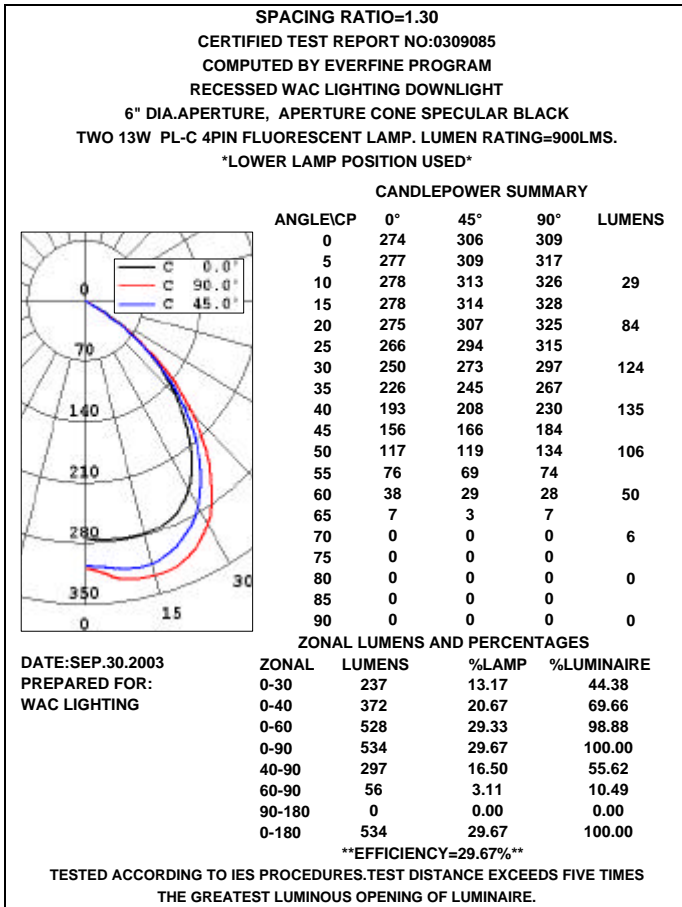


# R6HT-21

## WAC Lighting Recessed Downlighting

## 6" Aperture Aperture Cone Specular Black Reflector Trim

Type:



Pcc	80%	70%	50%	30%	10%	0
Pw	50% 30% 10%	50% 30% 10%	50% 30% 10%	50% 30% 10%	50% 30% 10%	0
Pfc	20%	20%	20%	20%	20%	0
RCR	Coefficients of Utilization					
0	.35 .35 .35	.35 .35 .35	.33 .33 .33	.32 .32 .32	.30 .30 .30	.30
1	.32 .31 .31	.32 .31 .31	.30 .30 .30	.29 .29 .29	.28 .28 .28	.27
2	.29 .28 .27	.29 .28 .27	.28 .27 .26	.27 .26 .26	.26 .25 .25	.24
3	.27 .25 .24	.26 .25 .24	.26 .24 .23	.25 .24 .23	.24 .23 .23	.22
4	.24 .22 .22	.24 .22 .21	.23 .22 .21	.23 .21 .21	.22 .21 .20	.19
5	.22 .20 .19	.22 .20 .19	.21 .20 .19	.21 .19 .19	.20 .19 .18	.17
6	.20 .18 .17	.20 .18 .17	.20 .18 .17	.19 .18 .17	.19 .17 .17	.16
7	.19 .17 .16	.19 .16 .16	.18 .16 .16	.18 .16 .15	.17 .16 .15	.14
8	.17 .15 .14	.17 .15 .14	.17 .15 .14	.16 .15 .14	.16 .15 .14	.13
9	.16 .14 .13	.16 .14 .13	.16 .14 .13	.15 .14 .13	.15 .13 .13	.12
10	.15 .13 .12	.15 .13 .12	.14 .13 .12	.14 .13 .12	.14 .12 .12	.11

Pcc	80%	70%	50%	30%	10%	0
Pw	50% 30% 10%	50% 30% 10%	50% 30% 10%	50% 30% 10%	50% 30% 10%	0
Pfc	20%	20%	20%	20%	20%	0
RCR	Coefficients of Utilization					
0	.34 .34 .34	.33 .33 .33	.32 .32 .32	.30 .30 .30	.29 .29 .29	.28
1	.31 .30 .30	.30 .30 .29	.29 .29 .28	.28 .28 .27	.27 .27 .27	.26
2	.28 .27 .26	.28 .26 .26	.27 .26 .25	.26 .25 .24	.25 .24 .24	.23
3	.26 .24 .23	.25 .23 .23	.24 .23 .22	.24 .22 .22	.23 .22 .21	.21
4	.23 .21 .20	.23 .21 .20	.22 .21 .20	.22 .20 .20	.21 .20 .19	.18
5	.21 .19 .18	.21 .19 .18	.20 .19 .18	.20 .18 .18	.19 .18 .17	.16
6	.19 .17 .16	.19 .17 .16	.19 .17 .16	.18 .17 .16	.18 .16 .16	.15
7	.18 .16 .15	.18 .16 .15	.17 .15 .15	.17 .15 .15	.16 .15 .14	.13
8	.16 .14 .14	.16 .14 .14	.16 .14 .13	.16 .14 .13	.15 .14 .13	.12
9	.15 .13 .12	.15 .13 .12	.15 .13 .12	.14 .13 .12	.14 .13 .12	.11
10	.14 .12 .11	.14 .12 .11	.14 .12 .11	.14 .12 .11	.13 .12 .11	.10