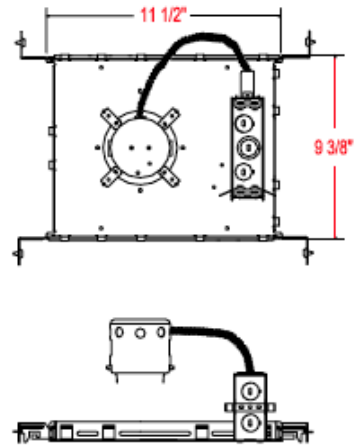
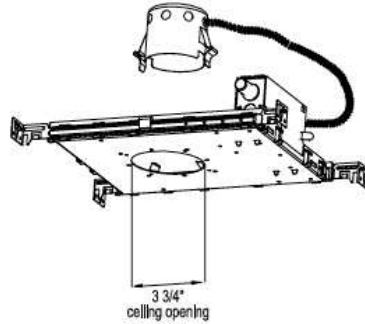


CATALOG NUMBER	TYPE
PROJECT	

4" PREMIUM LINE VOLTAGE DOWNLIGHT HOUSING R4VI



Ordering Matrix	
Series	Housing Type
[]	[]
R4VI	Blank – Frame-In Kit

Ordering Example (series – housing type): R4VI

Product Details	
Application:	New construction housing frame-in kit. Requires 3" minimum clearance from insulation. Maximum 1" ceiling thickness.
J Box:	Junction box is accessible from above or below the ceiling. Supplied with eight standard knockouts and four integral non-metallic sheathed cable clamps. Spring loaded door for easy access to wiring. Approved for through branch wiring
Mounting:	Supplied with hanger bars adjustable to 25". Bars have score lines and can be cut to accommodate 12" joist spans. Bars have notches for easy installation on T-bars. Hanger bars mount on all four sides.
Material:	20 gauge galvanized steel. Ceramic/nickel-plated socket.
Ratings:	UL & CUL listed.

Specification Features	
•	Suitable for damp locations.
•	5 year WAC Lighting product warranty.

Compatible Trims (Sold Separately):

R4RT-21 Open Reflector Trim			R4VT-22 Step Baffle Trim			
Finish	Interior	Trim	Finish	Interior	Trim	
SBK	Specular Black	White	BK	Black	White	
SC	Specular Clear	White	WT	White	White	
WT	White	White				
R4VT-23 Pinhole Trim						
Finish	Interior	Trim				
WT	NA	White				



WAC LIGHTING
Responsible Lighting

615 South Street
Garden City, NY 11530
Tel: 516-515-5000 Fax: 516-515-5050
www.waclighting.com

<u>CATALOG NUMBER</u>	<u>TYPE</u>
<u>PROJECT</u>	