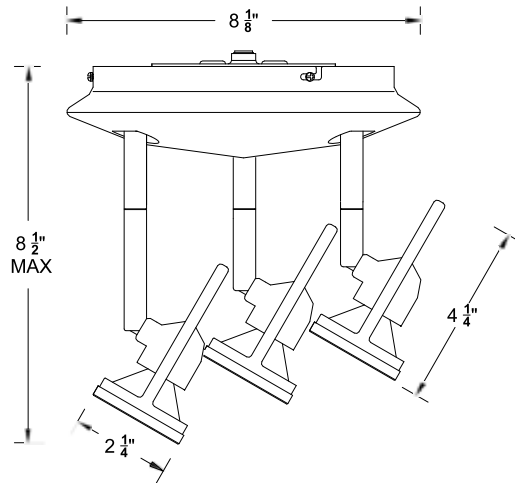


CATALOG NUMBER	TYPE
PROJECT	

LOW VOLTAGE SURFACE MOUNT

MODEL PAN-826



Ordering Matrix

Model	Series	Finish
<input type="text"/>	<input type="text"/>	<input type="text"/>
PAN	826	PT WT

Ordering Example (model number – series – finish): PAN-826-PT

Product Details

Description:	Surface mount triple track head canopy and integral electronic transformers. Canopy base covers a standard junction box.
Materials:	Die-cast aluminum fixtures with bi-pin ceramic sockets integral 18 gauge teflon insulated wires. Supplied with tempered clear glass lenses.
Transformer:	Electronic transformer with auto reset, soft start, and short circuit protection features. 120v to 12v. Dimming with electronic low voltage dimmers is recommended.
Aiming:	350° horizontal rotation and 90° vertical aiming.
Lamping:	Re-lamps from the front using MR16 lamps, 3x50W maximum.
Finish:	Abrasion resistant powder coat paint finish. Available in Platinum (PT), White (WT).
Listing:	UL & CUL Listed.
Accessories:	Accepts a single lens accessory in place of the supplied tempered clear glass lens. Compatible accessories are ordered separately.

Specification Features

- Staggered track heads provide a wide range of coverage while still being compact in size and space.
- Special lens types such as spread lenses and UV lenses can be ordered from WAC and used in place of the supplied clear lens.
- Electronic transformer soft start feature is designed to protect lamps from abrupt inrush current. The solid state circuitry promotes cool and quiet operation.
- May be used in utility rooms, service areas, kitchens, or any room where a decorative multiple aiming source with a small footprint is needed.
- 5 year WAC Lighting product warranty.