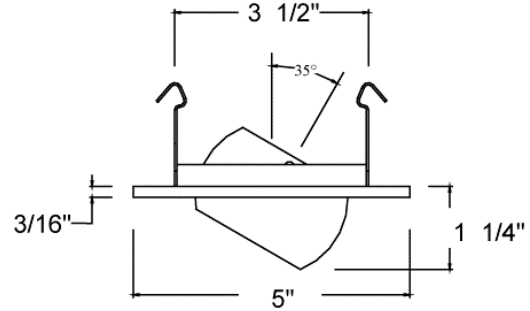


CATALOG NUMBER	TYPE
PROJECT	

4" LOW VOLTAGE DOWNLIGHT TRIM

HR-8414



Ordering Matrix

Series	Model Number	Finish		
<input type="text"/>	<input type="text"/>	<input type="text"/>		
HR	8414	CB	WT	WT/WT

Ordering Example (series – model number – finish): HR-8414-WT

Product Details

Description: Eyeball style trim with interior baffle. Provides easy aiming control from below the ceiling. For use with HR-8400 low voltage downlights.

Materials: Durable stamped metal construction. Fingered retention clips firmly hold trim to housing.

Aiming: Center lamp holder allows the lamp to be tilted to 35° from nadir.

Lamping: Utilizes 12 volt MR16 lamps. Ordered Separately. 50w or 75w maximum, see individual housing for wattage rating. Trim supplied with clear tempered glass lens cover for lamp.

Finish: Abrasion resistant powder coat painted or plated metal finish. Available in Copper Bronze baffle w/ Copper Bronze trim (CB), Black baffle w/ White trim (WT), White baffle w/ White trim (WT/WT).

Listing: UL & CUL Listed. Suitable for damp locations.

Specification Features

- Recessed alternative to surface mounted track lights.
- The supplied clear glass lens can be replaced with one lens accessory such as a colored dichroic lens, UV filter lens, frosted lens, etc. See catalog or website for full lens accessory selection.
- Handles surfaces up to 3/4".
- 5 year WAC Lighting product warranty.

Compatible Housings (sold separately):

HR-8401E Non IC Remodeling 12 Volt Electronic Lamp: MR16 50W Max		HR-8401H & HF Non IC Remodeling 12 volt Magnetic Lamp: MR16 50W Max		HR-8402E Non IC New Construction 12 Volt Electronic Lamp: MR16 50W Max	
HR-8402H & HF Non IC New Construction 12 Volt Magnetic Lamp: MR16 50W Max		HR-8402HL & HFL Non IC New Construction 12 Volt Magnetic Lamp: MR16 75W Max		HR-8403H & HF IC Rated. Air tight ready. New Construction 12 Volt Magnetic Lamp: MR16 50W Max	