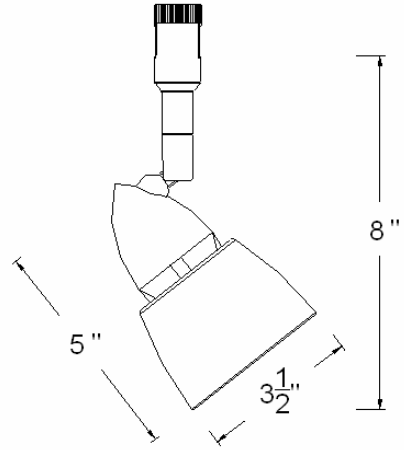


| | |
|-----------------------|-------------|
| CATALOG NUMBER | TYPE |
| PROJECT | |

FLEXRAIL1™ – LINE VOLTAGE TRACK HEAD

SERIES HM1-783



| Ordering Matrix | | |
|----------------------|----------------------|----------------------|
| Series | Model | Finish |
| <input type="text"/> | <input type="text"/> | <input type="text"/> |
| HM1 | 783 | DB PT |

Ordering Example (series number – model number – finish): HM1-783-DB

| Product Details | |
|---------------------|---|
| Description: | Flexrail1™ compatible cone style line voltage track head utilizing PAR20 lamps. |
| Materials: | Track head and connector are die-cast aluminum. Track adaptor is polycarbonate. Medium base lamp socket is porcelain with nickel-plated copper shell. |
| Aiming: | 350° horizontal rotation and 90° vertical aiming with integral ball and swivel mounting feature. All die-cast parts assure the aiming tension is kept through continuous use and maintenance. |
| Lamping: | Uses PAR20 lamp. 50W maximum. |
| Finish: | Abrasion resistant platinum or bronze paint finish. DB = Dark Bronze metal finish PT = Platinum metal finish |
| Listing: | UL & CUL Listed. |

| Specification Features |
|---|
| <ul style="list-style-type: none"> Die-cast aluminum track head with smooth aiming and contemporary design. 5 year WAC Lighting product warranty. |