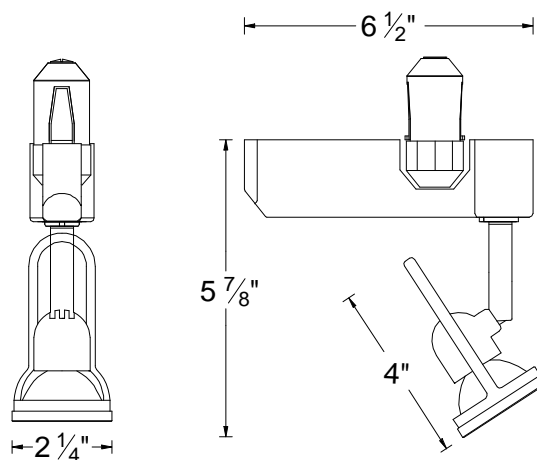


CATALOG NUMBER	TYPE
PROJECT	

FLEXRAIL2 – LOW VOLTAGE TRACK HEAD

SERIES HM-826



Ordering Matrix				
Series	Model		Finish	
HM	826 (50w max)	826L (75w max)	PT	BZ

Ordering Example (series number – model number – finish): HM-826L-PT

Product Details	Specification Features
<p>Description: Flexrail2 compatible low voltage track head with integral electronic transformer. Available in either a 50w or 75w version. Utilizes MR16 lamps.</p> <p>Materials: Transformer case is molded G.E. Lexan, track assembly and head are die cast aluminum. Lamp socket is a ceramic bi-pin. Supplied with a clear glass lens.</p> <p>Transformer: Electronic low voltage with auto-reset, soft start and short circuit protection features. Dimmable with electronic low voltage dimmers.</p> <p>Aiming: 350° horizontal rotation and 90° vertical aiming with integral ball and swivel mounting feature.</p> <p>Lamping: 50w MR16 maximum with HM-826 model. 75w MR16 maximum with HM-826L model.</p> <p>Accessories: The clear lens supplied with the 826 can be replaced with one colored lens or lens accessory.</p> <p>Finish: Abrasion resistant platinum or bronze paint finish. PT = Platinum metal finish BZ = Designer Bronze metal finish</p> <p>Listing: UL & CUL Listed.</p>	<ul style="list-style-type: none"> Architectural die-cast aluminum track head with ball and swivel aiming u-wand. Both transformer case and track head assembly are painted in a matching finish. Electronic transformer soft start feature is designed to protect lamps from abrupt inrush current. The solid state circuitry promotes cool and quiet operation. 5 year product warranty.