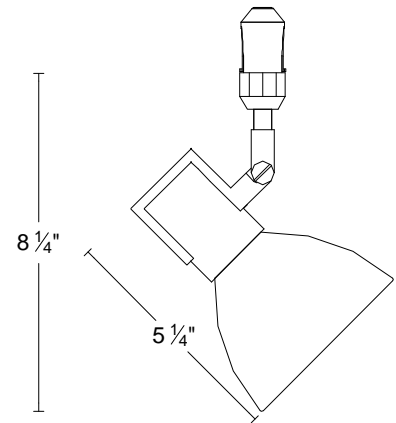
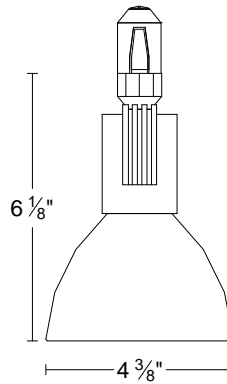


CATALOG NUMBER	TYPE
PROJECT	

FLEXRAIL2 – LINE VOLTAGE TRACK HEAD

SERIES HM-774



Ordering Matrix

Series	Model	Finish
<input type="text"/>	<input type="text"/>	<input type="text"/>
HM	774	BZ PT

Ordering Example (series number – model number – finish): HM-774-BZ

Product Details

Description:	Flexrail2 compatible mini-dome style line voltage track head utilizing PAR30 lamps.
Materials:	Track head and connector are die-cast aluminum. Track adaptor is polycarbonate. Medium base lamp socket is porcelain with nickel-plated copper shell.
Aiming:	350° horizontal rotation and 90° vertical aiming with rotating & locking yoke mount feature. Twin locking screws assure the aiming tension is kept through continuous use and maintenance.
Lamping:	Uses PAR30 lamp. 75W maximum.
Finish:	Abrasion resistant platinum or bronze paint finish. BZ = Designer Bronze metal finish PT = Platinum metal finish
Listing:	UL & CUL Listed.

Specification Features

- Architectural die-cast aluminum track head with smooth aiming and contemporary design.
- PAR30 lamp beam spreads available in choices ranging from 9 to 50 degrees to allow for a wide variety of application specific lighting patterns.
- 5 year product warranty.