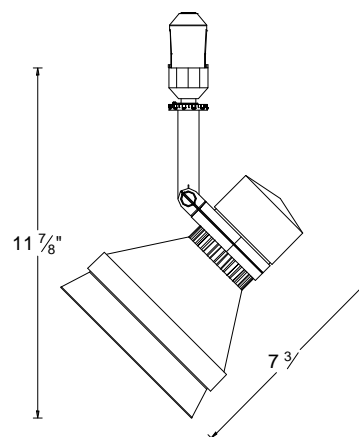
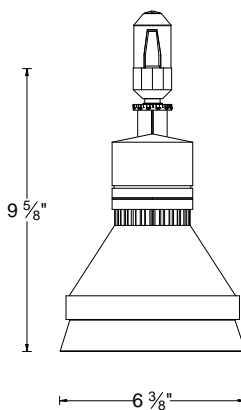


<b>CATALOG NUMBER</b>	<b>TYPE</b>
<b>PROJECT</b>	

**FLEXRAIL2 – LINE VOLTAGE TRACK HEAD**

**SERIES HM-737**






Ordering Matrix			
Series	Model	Finish	Accessories
<input type="text"/>	<input type="text"/>	<input type="text"/>	<input type="text"/>
HM	737	BZ PT	See table below

Ordering Example (series number – model number – finish + accessory): HM-737-PT + Lens-38-CRL

Product Details	
<b>Description:</b>	Flexrail2 compatible precision spot style line voltage track head utilizing PAR38 lamps. Lens cap comes with a threaded check ring that allows for the use of two captive lens accessories.
<b>Materials:</b>	Die-cast aluminum fixture, cap ring and check ring. Heavy gauge aiming screws painted to match fixture finish. Medium base porcelain socket with nickel-plated copper screw shell.
<b>Aiming:</b>	350° horizontal rotation and 90° vertical aiming with built-in degree scales on fixture. Two integral screws (one on each side of fixture) allow for locking fixture aiming angle.
<b>Lamping:</b>	Uses PAR38 lamp. 150W maximum.
<b>Finish:</b>	Abrasion resistant platinum or bronze paint finish. BZ = Designer Bronze metal finish PT = Platinum metal finish
<b>Listing:</b>	UL & CUL Listed. Patent Pending.
<b>Accessories:</b>	Accepts one or two accessories within the lens cap. Compatible accessories are ordered separately.

Specification Features
<ul style="list-style-type: none"> <li>Die-cast aluminum fixture with integral aiming indicators to assure precise directional adjustment.</li> <li>Threaded easy turn check ring within lens cap allows for multiple captive accessories.</li> <li>PAR38 lamp beam spreads available in choices ranging from 8 to 60 degrees to allow for a wide variety of application specific lighting patterns.</li> <li>5 year product warranty.</li> </ul>

Compatible Accessories			
<b>LENS-38-CRL</b> Cross Louver 	<b>LENS-38-HCL</b> Honeycomb Louver 	<b>LENS-38-COLOR</b> Colored Lenses AMB = Amber BLU = Blue GRN = Green RED = Red YEL = Yellow 	<b>LENS-38-DIC-COLOR</b> Dichroic Lenses AMB = Amber BLU = Blue GRN = Green RED = Red YEL = Yellow 