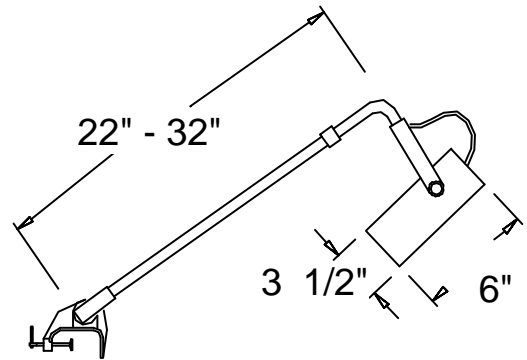


<b>CATALOG NUMBER</b>	<b>TYPE</b>
<b>PROJECT</b>	

**LINE VOLTAGE DISPLAY LIGHT** **MODEL DL-701**



Ordering Matrix		
Model	Series	Finish
[ ]	[ ]	[ ]
DL	701	BK      WT

Ordering Example (model number – series – finish): DL-701-WT

Product Details	
<b>Description:</b>	Line voltage display light for use on wall partitions, display booths, and portable work areas. Can utilize a variety of medium base lamps up to 60 watts. Mounts to flat surfaces with vice tension clamp, accommodating widths of 1/2" to 2 1/2".
<b>Materials:</b>	Fixture head and connector are aluminum. Periscoping arm is steel. Clamp is heavy duty polycarbonate. Medium base lamp socket is porcelain with nickel-plated copper shell. 10' grounded cord and plug.
<b>Aiming:</b>	Ball and hub style aiming feature allows a full range of vertical and horizontal orientation.
<b>Lamping:</b>	Accommodates medium base, 120v incandescent lamps.
<b>Finish:</b>	Abrasion resistant black (BK) or white (WT) paint finish.
<b>Accessories:</b>	DLC-4 = wide surface clamp accommodates up to 4" width. DLC-P = pipe clamp works on round surfaces up to 2 1/2" diameter. SW3 = Inline on/off switch to be installed in field installations.
<b>Listing:</b>	U.L. & C.U.L. listed. 5 year W.A.C. Lighting product warranty.

Specification Features
<ul style="list-style-type: none"> <li>• Portable lighting unit that comes complete with clamp and 10' cord and plug.</li> <li>• The DL-701 is dimmable with any incandescent dimmer switch.</li> <li>• Periscoping style arm can allow the head of the display light to be placed up to an extra 10" back from surface and then locked in place with a simple twist and lock.</li> <li>• Lamps options include; R style reflector lamps, 50w max A style lamps, 60w max PAR style lamps, 50w max</li> </ul>