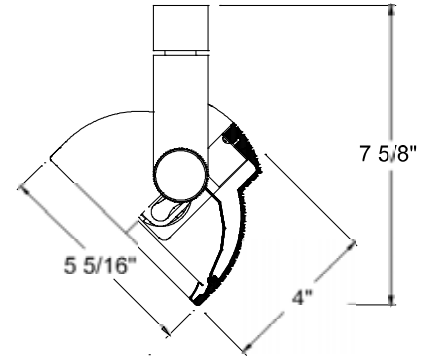
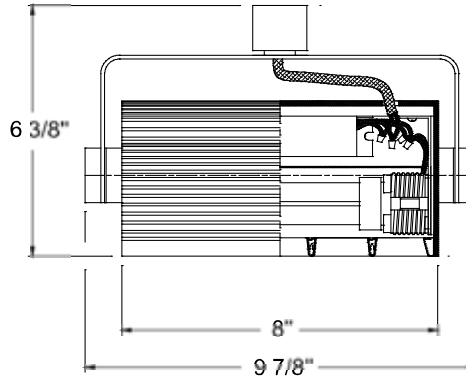
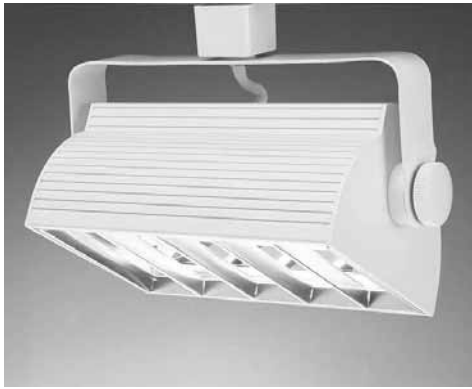


CATALOG NUMBER	TYPE
PROJECT	

COMPACT FLUORESCENT TRACK HEAD

MODEL W126E-HS



Catalog Information

2-WIRE (L)	3-WIRE (H)	WIDE 2-WIRE (J)	LAMP TYPE / WATT	FINISHES
			(1) 26W Double Biax®	BK WT
LTK-W126E-HS	HTK-W126E-HS	JTK-W126E-HS		

Ordering Example (Model- Finish) : HTK-W126E-HS-WT

Product Detail

Description	Wall wash compact fluorescent track fixture, employs one 26W* lamp, with built in electronic ballast. Fixture is not supplied with a louver
Lamp	Houses one compact fluorescent Double Biax® lamp, not supplied.
Aiming	Permits 180° Vertical and 354° rotational aiming.
Ballast	High power factor electronic.
Compatible	L, H, J and J2 track models in addition to fitting our own tracks, are retrofitable to other manufacturers original tracks (consult factory for specific brand names).
Special Application	The J style fixture may be installed on J2-style two circuit track with the addition of the J-CLIP.
Socket	G24q-3 four pin base.
Material	Extruded aluminum housing with specular aluminum reflector, and steel yoke.
Listing	UL, CUL Listed

Options/Accessories

Aluminum louvers are available in Black (L126-BK), White (L126-WT), and Specular Clear (L126-CL)

Compact Fluorescent Brand Name Cross-Reference

GE	Osram/Sylvania	Philips
Double Biax®	Dulux®/D/E	PL-C
F26DBX	CF26DD/E	PL-C26 W

Base style G24q-3

- 5 year WAC Lighting product warranty.

Engineering Data

Input Voltage	120V 50/60 Hz
Operating Input Power (W)	25W
Input Current (A)	0.23 Amp
Power Factor	0.93
Protection: Open Lamp / Shorted Lamp	Yes
Ballast Min. Starting Temp.	-20°F
Ballast Factor (%)	96%

* Watts and engineering data based on GE Double Biax® lamps