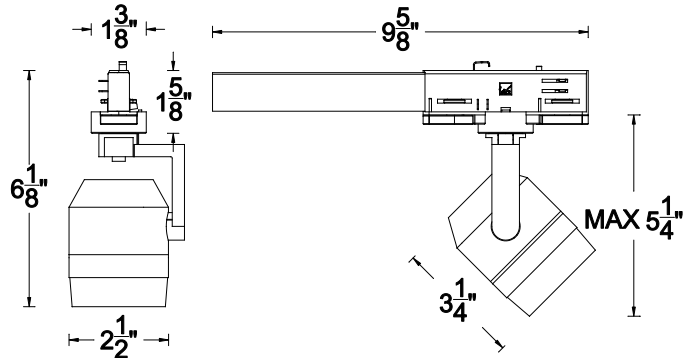


PALOMA SPOT – RECESSED LOW VOLTAGE TRACK HEAD

SERIES WTK-516



Ordering Matrix

Model	Finish
[]	[]
WTK-516	BK = Black WT = White PT = Platinum

Ordering Example (*model – finish*): WTK-516–PT

Product Details

Description:	Recessed Low voltage track head using MR16 lamps. Model WTK-516 designed for use on WAC tracks(120V). Adaptable to other manufacturer's track. (Consult factory for specific brands).
Materials:	Die-cast aluminum fixture, cap ring. Clear 1/8 inch tempered glass lens included.
Transformer:	Electronic transformer with auto reset, soft start, short circuit protection, and not dimmable.
Socket:	Ceramic bi-pin socket, GU5.3.
Aiming:	365° horizontal rotation and 180° vertical aiming to secure the aiming adjustment on horizontal . .
Lamping:	Re-lamps from the front using 12V MR16 lamps, 50W maximum. Lamp not included.
Finish:	Powder coat paint finish. Available in Black (BK), White (WT), Platinum (PT).
Listing:	UL & CUL Listed. Patent Pending.

Specification Features

- Die-cast aluminum fixture
- Spring sheet within lens cap allows 4 captive accessories to be held securely.
- The track head utilizes on the WAC style track (120V).
- 5 year product warranty.

Compatible Accessories –USE SIZE 16

• **Dichroic Lens**
LENS-16-DIC-COLOR

• **UV Filter**
LENS-16-UV

• **IR Filter**
LENS-16-IR

• **UV- IR Filter**
LENS-16-UI

• **Beam Elongator**
LENS-16-BEL

• **Beam Soft Lens/Beam Spread Lens**
LENS-16-BSL / LENS-16-SPR

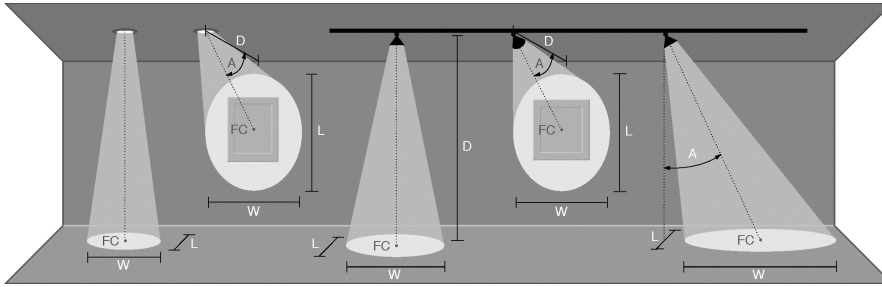
• **Hood (for wall-washing)**
HOOD-16-BK

• **Cross Louver**
LENS-16-CRL

• **Snoot**
LENS-16-SNOOT

• **Honeycomb Louver**
LENS-16-HCL

Photometry



D Distance To Fixture From Wall Or Floor
 FC Initial Footcandle Level At Center Of Beam
 L Beam Length (where candlepower drops to 50% of maximum)
 W Beam Width (where candlepower drops to 50% of maximum)

50W MR16 N (24 DEG)			
0° Aiming Angle			
D(ft)	FC	L	W
6	60	2.8	2.8
9	27	4.2	4.2
12	15	5.5	5.5
15	10	6.9	6.9
45° Aiming Angle			
D(ft)	FC	L	W
6	21	5.9	3.9
9	9	8.8	5.9
12	5	11.7	7.8
15	3	14.6	9.8

