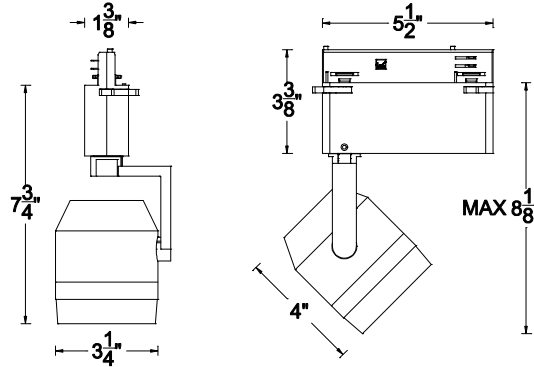


PALOMA SPOT –LOW VOLTAGE TRACK HEAD

SERIES WTK-516L



Ordering Matrix

Model	Finish
[]	[]
WTK-516L	BK = Black WT = White PT = Platinum

Ordering Example (model – finish): WTK-516L–PT

Product Details

Description: Low voltage track head using MR16 lamps. Model WTK-516L designed for use on WAC ARCHITECTURAL tracks(120V). Adaptable to other manufacturer's track. (Consult factory for specific brands). Dimmable.

Materials: Die-cast aluminum fixture, cap ring.
Clear 1/8 inch tempered glass lens included.

Transformer: Electronic transformer with auto reset, soft start, and short circuit protection.

Socket: Ceramic bi-pin socket, GU5.3..

Aiming: 365° horizontal rotation and 180° vertical aiming to secure the aiming adjustment on horizontal .

Lamping: Re-lamps from the front using 12V MR16 lamps, 75W maximum. Lamp not included.

Finish: Powder coat paint finish.
Available in Black (BK), White (WT), Platinum (PT).

Listing: UL & CUL Listed. Patent Pending.

Specification Features

- Die-cast aluminum fixture .
- Spring sheet within lens cap allows 4 captive accessories to be held securely.
- The track head utilizes on the WAC ARCHITECTURAL style track(120V) .
- 5 year product warranty.

Compatible Accessories –USE SIZE 20

• **Dichroic Lens**
LENS-20-DIC-COLOR

• **UV Filter**
LENS-20-UV

• **IR Filter**
LENS-20-IR

• **UV- IR Filter**
LENS-20-UI

• **Beam Elongator**
LENS-20-BEL

• **Beam Soft Lens/Beam Spread Lens**
LENS-20-BSL / LENS-20-SPR

• **Block Screen**
LENS-203-BS/ LENS-204-BS/ LENS-205-BS

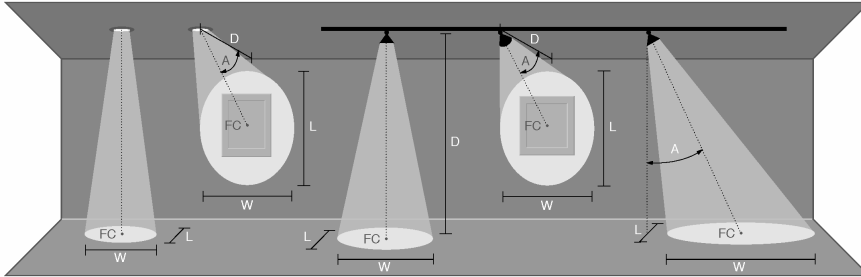
• **Hood (for wall-washing)**
HOOD-20-BK

• **Cross Louver**
LENS-202-CRL

• **Snoot**
LENS-20-SNOOT

• **Honeycomb Louver**
LENS-202-HCL

Photometry



D Distance To Fixture From Wall Or Floor
FC Initial Footcandle Level At Center Of Beam
L Beam Length (where candlepower drops to 50% of maximum)
W Beam Width (where candlepower drops to 50% of maximum)

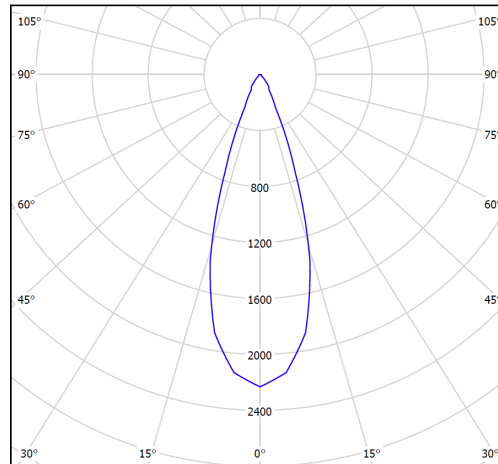
75W MR16 N (36 DEG)

0° Aiming Angle

D(ft)	FC	L	W
6	62	3.6	3.6
9	28	5.5	5.5
12	16	7.3	7.3
15	10	9.1	9.1

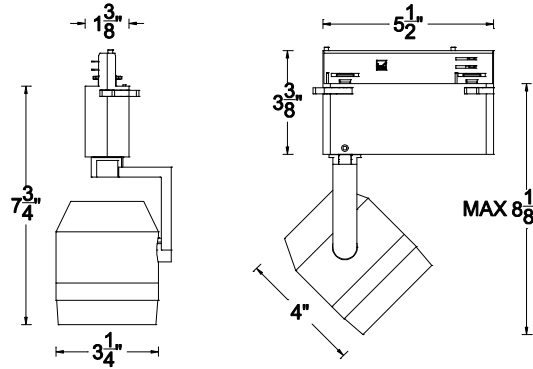
45° Aiming Angle

D(ft)	FC	L	W
6	8	20.2	7.3
9	3	30.3	10.9
12	2	40.3	14.6
15	1	50.4	18.2



PALOMA SPOT –LOW VOLTAGE TRACK HEAD

SERIES WHK-516L



Ordering Matrix

Model	Finish
WHK-516L	BK = Black WT = White PT = Platinum

Ordering Example (model – finish): WHK-516L–PT

Product Details

Description: Low voltage track head using MR16 lamps. Model WHK-516L designed for use on WAC ARCHITECTURAL tracks(277V). Adaptable to other manufacturer's track. (Consult factory for specific brands).

Materials: Die-cast aluminum fixture, cap ring.
Clear 1/8 inch tempered glass lens included.

Transformer: Electronic transformer with auto reset, soft start, short circuit protection, and dimmable.

Socket: Ceramic bi-pin socket, GU5.3.

Aiming: 365° horizontal rotation and 180° vertical aiming to secure the aiming adjustment on horizontal .

Lamping: Re-lamps from the front using 12V MR16 lamps, 75W maximum. Lamp not included.

Finish: Powder coat paint finish.
Available in Black (BK), White (WT), Platinum (PT).

Listing: UL & CUL Listed. Patent Pending.

Specification Features

- Die-cast aluminum fixture.
- Spring sheet within lens cap allows 4 captive accessories to be held securely.
- The track head utilizes on the WAC ARCHITECTURAL style track (277V) .
- 5 year product warranty.

Compatible Accessories –USE SIZE 20

• **Dichroic Lens**
LENS-20-DIC-COLOR

• **UV Filter**
LENS-20-UV

• **IR Filter**
LENS-20-IR

• **UV- IR Filter**
LENS-20-UI

• **Beam Elongator**
LENS-20-BEL

• **Beam Soft Lens/Beam Spread Lens**
LENS-20-BSL / LENS-20-SPR

• **Block Screen**
LENS-203-BS/ LENS-204-BS/ LENS-205-BS

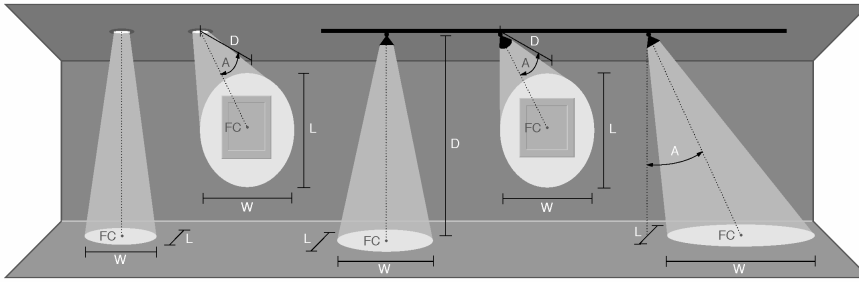
• **Hood (for wall-washing)**
HOOD-20-BK

• **Cross Louver**
LENS-202-CRL

• **Snoot**
LENS-20-SNOOT

• **Honeycomb Louver**
LENS-202-HCL

Photometry



D Distance To Fixture From Wall Or Floor
FC Initial Footcandle Level At Center Of Beam
L Beam Length (where candlepower drops to 50% of maximum)
W Beam Width (where candlepower drops to 50% of maximum)

75W MR16 N (36 DEG)

0° Aiming Angle

D(ft)	FC	L	W
6	62	3.6	3.6
9	28	5.5	5.5
12	16	7.3	7.3
15	10	9.1	9.1

45° Aiming Angle

D(ft)	FC	L	W
6	8	20.2	7.3
9	3	30.3	10.9
12	2	40.3	14.6
15	1	50.4	18.2

