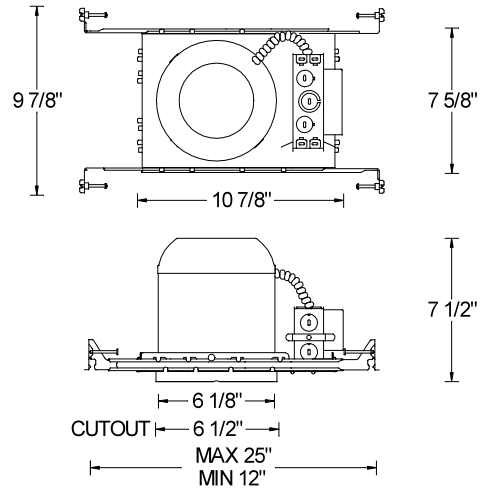
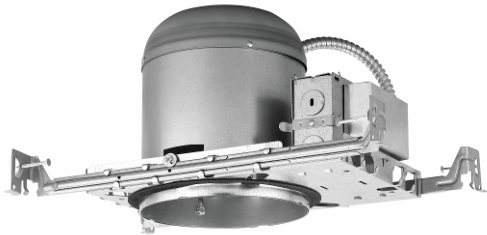


6" LINE VOLTAGE DOWNLIGHTS

R-F605D-N-ICA



Ordering Matrix

Model	Installation Type	Options
[]	[]	[]
R-F605D: Recessed 6 inch compact fluorescent downlights	N-New construction	ICA: IC-Rated/Air Tight

Example: R-F605D-N-ICA

Product Details

Description:	Line voltage new construction housing.
Materials:	Housing is 20 gauge steel, painted white. Frame, junction box and hanger bars are heavy gauge galvanized steel.
Mounting:	Supplied with hanger bars, adjustable from 12"-24" to accommodate various joist construction and grid sizes. Hanger bars include a captive mounting "screw-nail" for ease of installation. Accommodates surface thickness of up to 1". 6 1/2" cutout hole.
Ratings:	IC-Rated for direct contact with insulation.
J-Box:	Seven knockouts and four non-metallic sheathed cable style wiring connectors provided for ease of installation. Rated for branch and chain wiring.
Ballast:	Rated Lamp Watts: 13W Voltage: 120V Input Current: 0.13A Input Power (ANSI Watts): 15W Minimum 2 years warranty from the manufacturer of the ballast.
Lamp:	Single compact fluorescent lamp. CFQ13W/G24q/830, 3000K CFTR13W/GX24q/830, 3000K Lamps are ordered separately.
Listing:	UL & CUL Listed. Suitable for damp locations.

Specification Features

- Hanger bars slots are located on all four sides of the frame.
- Visit www.waclighting.com for compatible trims.
- ENERGY STAR qualified.
- Certified Air Tight per ASTM E283.
- 5 year W.A.C. Lighting product warranty.