

TWIST - model: 197

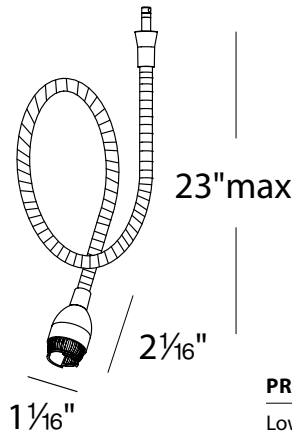
Low Voltage Quick Connect™ Luminaire

WAC LIGHTING

Responsible Lighting®



Shown with G116-BN



Fixture Type:

Catalog Number:

Project:

Location:

PRODUCT DESCRIPTION

Low voltage track head with Flexible cable arm for aiming adjustments.

SPECIFICATIONS

Construction: Machined brass construction. All metal track head parts with metal spring band to retain shade. Shades are either glass or metal.

Finish: Available in electroplated Brushed Nickel (BN).

Lamping: Accepts 12V LED MR16, Halogen MR16 lamps up to 50W max (order lamp separately).

Dimming: Dim to 10% depending on system power supply. Use ELV (electronic low voltage) dimmer with electronic transformer. Use magnetic low voltage dimmer with magnetic transformer.

Standards: UL & CUL Listed.

FEATURES

- Flexible cable arm provides for all vertical and horizontal aiming adjustments.
- Compatible with all Quick Connect™ rail and track systems when using the proper adapter (see adapter chart on next page)
- Use on all Quick Connect™ Canopies (see canopy options on next page)
- 5 year WAC Lighting product warranty

ORDER NUMBER

Model #	Finish
QF-197	BN <i>Brushed Nickel</i>

QF-197 - **BN**

Example: **QF-197-BN**

GLASS AND SHIELD OPTIONS (ORDER SEPARATELY)

G111	G112	G113	G114 <i>cased glass</i>	G115 <i>mesh</i>	G116 <i>solid</i>	
2¼"W × 1¾"H	2½"W × 1¾"H	3¾"W × 1¾"H	2⅝"W × 2½"H	2¼"W × 1¾"H	2¼"W × 1¾"H	
AM BL WT	AM WT	AM WT	AM BL RD WT	BN DB	BN DB	AM Amber BL Blue BN Brushed Nickel DB Dark Bronze RD Red WT White

LED MR16 (ORDER SEPARATELY)

Model	Finish	Power	CCT	Volt	Lumens	Average Life	CRI	Beam	Photometry
MR16LED-BAB	BK <i>Black</i> WT <i>White</i>	8W	3000K	12V	450	25,000 Hours	85	35°	

Example: **MR16LED-BAB-WT**

EXTENSIONS (ORDER SEPARATELY)

	Q-X18 18"	
	Q-X24 24"	BN <i>Brushed Nickel</i>
	Q-X36 36"	DB <i>Dark Bronze</i>
	Q-X48 48"	

See Next Pages for Canopy & Adapter Options

WAC Lighting
www.waclighting.com
Phone (800) 526.2588 • Fax (800) 526.2585

Headquarters/Eastern Distribution Center
44 Harbor Park Drive • Port Washington, NY 11050
Phone (516) 515.5000 • Fax (516) 515.5050

Western Distribution Center
1750 Archibald Avenue • Ontario, CA 91760
Phone (800) 526.2588 • Fax (800) 526.2585










TWIST - model: 197

Low Voltage Quick Connect™ Luminaire

WAC LIGHTING


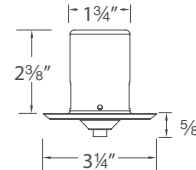
Responsible Lighting®

Quick Connect™ Adapters for Track and Rail systems



Rail	System	Model #	Finish	120V Track	Model #	Finish	FINISHES	
	Solorail™	LM-QADP	BN DB		L Track	EN-LQ50AR	BK BN WT	
	Duorail™	LM2-QADP	BN DB		H Track	EN-HQ50AR	BK BN DB WT	
	Flexrail™	HM-EN50	DB PT		J/J2 Track	EN-JQ50AR	BK BN WT	
							PT Platinum	
							WT White	


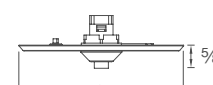

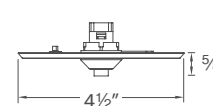
Monopoint Canopies (Remote Transformers Required)


- Order remote transformer separately
- No visible hardware

	Model	Finish
Miniature Round Canopy with Wiring Compartment  	QMP-MI-TR	BN Brushed Nickel CH Chrome DB Dark Bronze

- The recessed "housing" is a wiring compartment with a knock-out that accepts trade size connectors
- The housing is installed in the cutout hole first then the faceplate is attached

	Model	Input	Output	Min Load	L	W	H	
Class 2 Enclosed Electronic Transformers	 EN-1260-RB2	120V	12V, 60W	1W	6½"	1½"	1¼"	Fits through small openings
	EN-2460-RB2	120V	24V, 60W	1W	6½"	1½"	1¼"	
	EN-24100-RB2	120V	24V, 96W	1W	6½"	1½"	1¼"	
Class 2 Non-Enclosed Electronic Transformer	 EN-12120-RB2	120V	12V, 2 × 60W	1W	6"	3¼"	2½"	Includes LED indicator lights and integral push in terminals
	EN-12180-RB2	120V	12V, 3 × 60W	1W	6¾"	3½"	2½"	
	EN-12300-RB2	120V	12V, 5 × 60W	1W	8½"	4½"	2½"	

Round Canopy for Junction Box  	QMP-1RN-TR	BN Brushed Nickel CH Chrome DB Dark Bronze WT White
Square Canopy For Junction Box  	QMP-1SQ-TR	BN Brushed Nickel CH Chrome DB Dark Bronze

	Model	Input	Output	Min Load	L	W	H	
Class 2 Non-Enclosed Electronic Transformer	 EN-1260-R2	120V 50/60Hz	12V, 60W	1W	2¾"	1¾"	1"	All Connections must be made in an enclosure for proper installations

WAC Lighting
 www.waclighting.com
 Phone (800) 526.2588 • Fax (800) 526.2585

Headquarters/Eastern Distribution Center
 44 Harbor Park Drive • Port Washington, NY 11050
 Phone (516) 515.5000 • Fax (516) 515.5050

Western Distribution Center
 1750 Archibald Avenue • Ontario, CA 91760
 Phone (800) 526.2588 • Fax (800) 526.2585

TWIST - model: 197


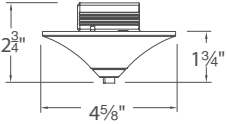
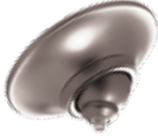
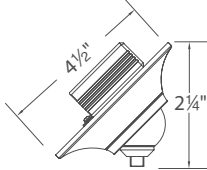
Low Voltage Quick Connect™ Luminaire

WAC LIGHTING

Responsible Lighting®

Monopoint Canopies (Integral Transformers)

- 1W minimum load
- 60W Integral electronic transformer
- Smooth and continuous ELV dimming
- For use with a 4" junction box; includes optional collar for shallow junction box


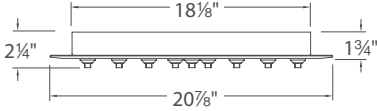

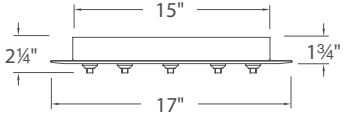

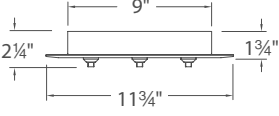

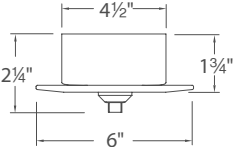

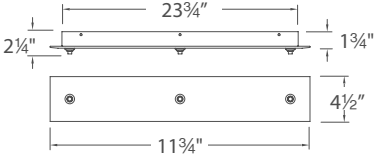
			Model	Finish
Adapter Canopy			QMP-60ERN	BN <i>Brushed Nickel</i> CH <i>Chrome</i> DB <i>Dark Bronze</i>
Sloped Ceiling Canopy			QMP-S60ERN	BN <i>Brushed Nickel</i> CH <i>Chrome</i> DB <i>Dark Bronze</i>

• Swivels up to 45° in either direction and will accept all WAC Lighting Quick Connect™ pendants and fixtures

Example: **QMP-60ERN-BN**

Mirror Glass Multipoint Canopies (Integral Transformers)

- 1W minimum load
- 60W Integral electronic transformer for each drop
- Smooth and continuous ELV dimming

			Model	Finish
12-Point Mirrored Canopy Round			QMP-G12RN	
6-Point Mirrored Canopy Round			QMP-G6RN	
3-Point Mirrored Canopy Round			QMP-G3RN	MR <i>Mirror</i>
1-Point Mirrored Canopy Round			QMP-G1RN	
3-Point Mirrored Canopy Rectangular			QMP-G3RE	

Example: **QMP-G6RN-MR**

WAC Lighting
www.waclighting.com
Phone (800) 526.2588 • Fax (800) 526.2585

Headquarters/Eastern Distribution Center
44 Harbor Park Drive • Port Washington, NY 11050
Phone (516) 515.5000 • Fax (516) 515.5050

Western Distribution Center
1750 Archibald Avenue • Ontario, CA 91760
Phone (800) 526.2588 • Fax (800) 526.2585