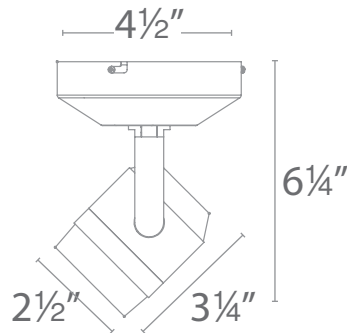


# PALOMA - model: MO-LED512

## Monopoint Luminaire

# WAC LIGHTING

Responsible Lighting®



Fixture Type:

Catalog Number:

Project: \_\_\_\_\_

Location: \_\_\_\_\_

### PRODUCT DESCRIPTION

Museum-quality LED luminaire with high performance optics

### FEATURES

- Accommodates 1 filter lens or 1 accessory
- 365° horizontal rotation and 180° vertical aiming
- Ceiling and wall mountable
- 50,000 hour rated life
- 5 year WAC Lighting product warranty

### SPECIFICATIONS

**Construction:** Die-cast aluminum with cap ring.  
Clear glass lens included.

**Aiming:** 365° horizontal rotation and 180° vertical aiming.  
Spring lock to secure the aiming adjustment

**Input:** 120V-277V AC 50/60HZ

**Dimming:** Electronic low voltage (ELV) dimmer 100%-5% (120V only)

**Finish:** Powder coated

**Standards:** UL & cUL Damp Location Listed.

### ORDER NUMBER

Model	Beam	Color Temp	CRI	Lumens	CBCP	Finish				
MO-LED512	S 19°	827 2700K 85 800 3773	927 2700K 90 670 3145	830 3000K 85 835 3832	930 3000K 90 695 3264	835 3500K 85 860 4048	840 4000K 85 870 4089	BK Black WT White		
		N 24°	827 2700K 85 685 3152	927 2700K 90 685 2628	830 3000K 85 860 3268	930 3000K 90 715 2727	835 3500K 85 885 3382	840 4000K 85 895 3417	BK Black WT White	
			F 36°	827 2700K 85 850 2150	927 2700K 90 710 1755	830 3000K 85 885 2195	930 3000K 90 735 1821	835 3500K 85 910 2259	840 4000K 85 920 2282	BK Black WT White

MO-LED512 \_ - \_ - \_

Example: MO-LED512S-927-WT

Accommodates one lens accessory or one glare control accessory

### LENS ACCESSORIES

Amber	LENS-16-AMB
Blue	LENS-16-BLU
Green	LENS-16-GRN
Red	LENS-16-RED
Yellow	LENS-16-YEL
Frosted	LENS-16-FR
Spread	LENS-16-SPR
Beam Elongating	LENS-16-BEL

### GLARE CONTROL ACCESSORIES

Honeycomb Louver	LENS-16-HCL
------------------	-------------

### EXTENSIONS Sold as a complete unit. Ceiling mount only.

X6 6"	MOLED512	S N F	827	BK WT	
X12 12"			927		
X18 18"			830		
X24 24"			930		
X36 36"			835		
X48 48"			840		

Example: X12-MOLED512N930WT

### WAC Lighting

www.waclighting.com  
Phone (800) 526.2588 • Fax (800) 526.2585

### Headquarters/Eastern Distribution Center

44 Harbor Park Drive • Port Washington, NY 11050  
Phone (516) 515.5000 • Fax (516) 515.5050

### Western Distribution Center

1750 Archibald Avenue • Ontario, CA 91760  
Phone (800) 526.2588 • Fax (800) 526.2585