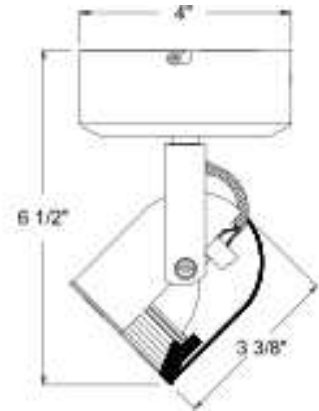
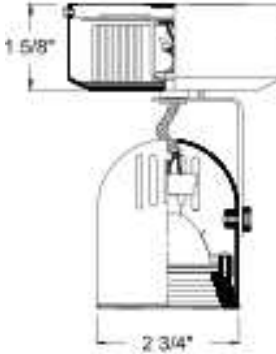


CATALOG NUMBER	TYPE
PROJECT	

LOW VOLTAGE SURFACE MOUNT

MODEL LP-808



Ordering Matrix		
Model	Series	Finish
[]	[]	[]
LP	808	BK WT

Ordering Example (model number – series – finish): LP-808-BK

Product Details

Description:	Surface mount single track head with canopy and integral magnetic transformer. May be surface mounted to walls and ceilings. Base covers a standard junction box.
Materials:	Die-cast aluminum fixture with bi-pin ceramic socket and 18 gauge teflon insulated wires, with fiberglass sleeves. Supplied with tempered clear glass lens.
Transformer:	Magnetic transformer, 120v to 12v. Dim with magnetic low voltage dimmer.
Aiming:	350° horizontal rotation and 90° vertical aiming. Two aiming screws (one on each side of fixture) allow for locking fixture aiming angle.
Lamping:	Re-lamps from the front using MR16 lamps, 50W maximum.
Finish:	Abrasion resistant powder coat paint finish. Available in Black (BK), White (WT),
Listing:	UL & CUL Listed.
Accessories:	Accepts a single lens accessory in place of the supplied tempered clear glass lens. Compatible accessories are ordered separately.

Specification Features

- Fixtures available with 6", 12", 18", 24", 36", 48", 72" and 96" extensions (factory assembled in BK, WT). Specify fixture style and finish when ordering (i.e.: LP-808-BK-X18). Extended fixtures are available only as a complete unit from the factory.
- Special lens types such as spread lenses and UV lenses can be ordered from WAC and used in place of the supplied clear lens.
- 5 year WAC Lighting product warranty.