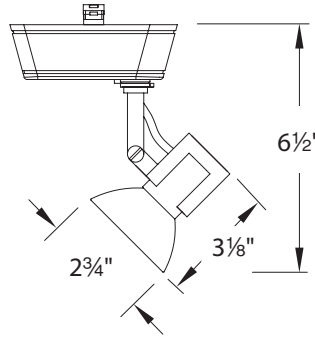


RADIANT – model: 856, 856LED

120V Track MR16 Luminaire

WAC LIGHTING

Responsible Lighting®



Fixture Type:

Catalog Number:

Project:

Location:

PRODUCT DESCRIPTION

Experience the warm charm and high style of the Radiant low voltage track luminaire. Designed in four finishes including an elegant Antique Bronze, the Radiant features a transitional look with a rich elegance that compliments many architectural styles, ideal for various spot lighting applications.

FEATURES

- Available with LED lamp option
- 350° horizontal rotation and 90° vertical aiming
- Screw and swivel yoke for precise aiming adjustment
- Fully enclosed back to prevent light leaks
- Easily re-lamped from the front
- Accommodates 1 additional lens or accessory with the use of lens clip
- Dimmable
- 5 year WAC Lighting product warranty

SPECIFICATIONS

Construction: Die-cast aluminum fixture with polycarbonate track adapter. Ceramic bi-pin socket.

Finish: Electroplated Antique Bronze (AB) and Brushed Nickel (BN), Powdercoat paint Black (BK) and White (WT).

Transformer: 12V ; 1W minimum load.

Lamp: 856 model uses 12V MR16, 50W max (not included).
856L model uses 12V MR16, 75W max (not included).
856LED model uses 12V, 9W MR16 LED lamp (included).
490 lumens, 3000K CCT, 50,000 hour rated life, CRI: 90.

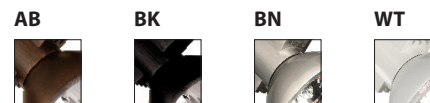
Dimming: With electronic low voltage (ELV) dimmer, LED lamp dims to 15%; Halogen lamp dims to 1%.

Standards: UL & CUL Listed.

ORDER NUMBER

System	Model #	Power	Lamp	Finish
LHT L Track	856LED	9W	LED	AB Antique Bronze BK Black BN Brushed Nickel WT White
HHT H Track	856	50W max	Halogen	
JHT J/J2 Track	856L	75W max	Halogen	

FINISHES



- -

Example: LHT-856L-BN

ACCESSORIES

Must be ordered with a lens clip – Model #: LENS-16-CLIP

Color Lens	LENS-16	AMB Amber	UV Filter	LENS-16-UVF
		BLU Blue	Frosted Lens	LENS-16-FR
		GRN Green	Spread Lens	LENS-16-SPR
		RED Red	Beam Elongating Lens	LENS-16-BEL
		YEL Yellow	Honeycomb Louver	LENS-16-HCL

WAC Lighting

www.waclighting.com

Phone (800) 526.2588 • Fax (800) 526.2585

Headquarters/Eastern Distribution Center

44 Harbor Park Drive • Port Washington, NY 11050

Phone (516) 515.5000 • Fax (516) 515.5050

Western Distribution Center

1750 Archibald Avenue • Ontario, CA 91760

Phone (800) 526.2588 • Fax (800) 526.2585