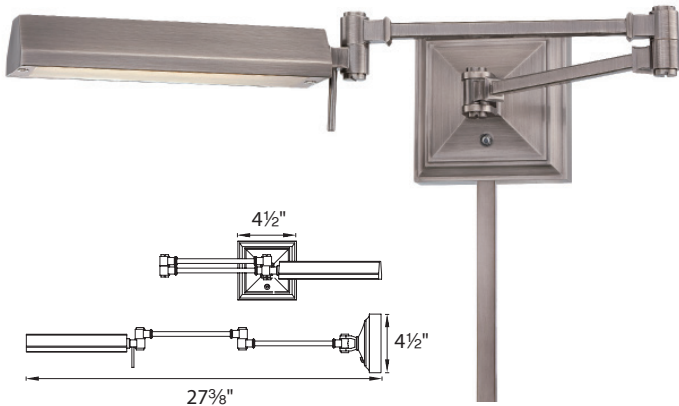


HEMMINGWAY – model: BL-1527

dwelLED™ LED Swing Arms

WAC LIGHTING

Responsible Lighting®



Fixture Type:

Catalog Number:

Project: _____

Location: _____

PRODUCT DESCRIPTION

Contrary to its classical design, Hemmingway conceals the most current generation of high color rendering LED arrays which ensure even light distribution and comfortable task illumination. Every joint swings to deliver light wherever needed. Offered in four classic metal finishes matching the Hemmingway LED picture light.

FEATURES

- Smooth swing arm operation
- Two 12 inch cord covers included
- Fingertip touch dimming on canopy
- ETL & cETL damp location listed
- Integral driver
- For hard-wired and portable (8 foot cord) installation

SPECIFICATIONS

- **Construction:** Die-cast aluminum
- **Color Temperature:** 3000K
- **CRI:** 90

ORDERING NUMBER

Model#	Watt	LED Lumens	Delivered Lumens	Finish
BL-1527	6.5 W	445	325	AN <i>Antique Nickel</i> BB <i>Burnished Brass</i> RB <i>Rubbed Bronze</i> PN <i>Polished Nickel</i>

BL-1527 -

Example: **BL-1527-AN**

waclighting.com
 Phone (800) 526.2588
 Fax (800) 526.2585

Headquarters/Eastern Distribution Center
 44 Harbor Park Drive
 Port Washington, NY 11050

Central Distribution Center
 1600 Distribution Ct
 Lithia Springs, GA 30122

Western Distribution Center
 1750 Archibald Avenue
 Ontario, CA 91760