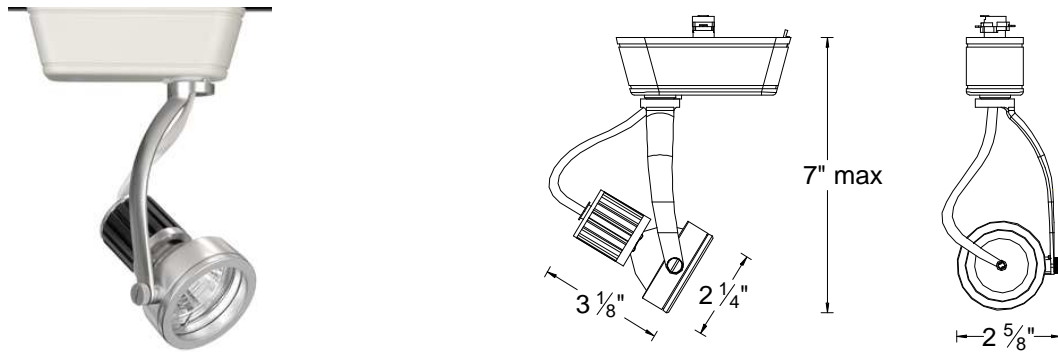


CATALOG NUMBER	TYPE
PROJECT	

LOW VOLTAGE TRACK HEAD

SERIES 819



Ordering Matrix

Model			Series		Finish			
[]			[]		[]			
HHT	JHT	LHT	819	819L	BK	PT/BK	PT/WT	WT

Ordering Example (model – series – finish): HHT-819-PT/WT

Product Details

Description: Premier series low voltage track head for use with W.A.C. brand H, L, J & J2 series track systems. In addition it may fit other manufacturer’s original track (consult factory for specific brands).

Materials: Die-cast aluminum track head with polycarbonate transformer case and track adapter. Heat resistant black rubber grip over the rear socket assembly. Bi-pin ceramic socket for MR16 lamp. Clear lens.

Aiming: 350° horizontal rotation and 90° vertical aiming. The “curvilinear” style yoke allows easy and fine adjustment to the desired angle.

Lamp & Transformer: MR16 lamp. 50w max. for the 819 and 75w max. for the 819L. Lamp sold separately.
Integral electronic transformer for 12 volt MR16 lamps. 120V input. Dimmable with electronic low voltage dimmers.

Systems: HHT is used with the W.A.C. H system track (HT).
JHT is used with the W.A.C. J system and J2 system track (JT & J2-T).
LHT is used with the W.A.C. L system track (LT).

Finish: Abrasion resistant powder coat paint finish. Black (BK), Platinum track head with Black transformer adapter (PT/BK), Platinum track head with White transformer adapter (PT/WT), or White (WT).

Listing: U.L. & C.U.L. listed. 5 year W.A.C. Lighting product warranty.

Specification Features

- “Quick-Ship” item, always in stock and available for immediate shipment.
- The supplied clear glass lens can be replaced with one lens accessory such as a colored dichroic lens, UV filter lens, frosted lens, etc. See catalog or website for full lens accessory selection.
- Low voltage track head extensions are available if longer than standard drops are required. Add X(*length*) to the front of the ordering code i.e. **X24-HHT-819-BN**. Ordered as Black, White, or Brushed Nickel.

Compatible Accessories

JCLIP
Ordered when using track heads on 2nd circuit of J2 style track.



Order as JCLIP