
Instructions: WAC LED Track Fixture – PALOMA Series
Models: WTK-LED520/WTK-LED530

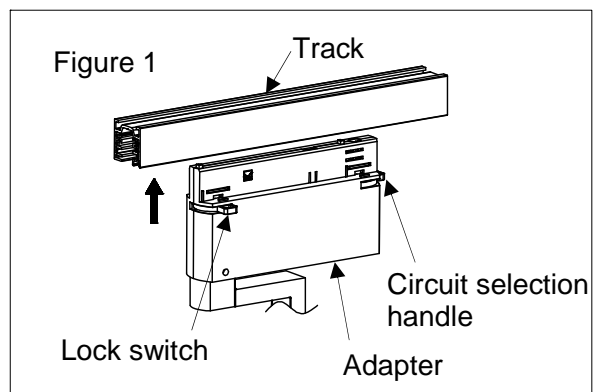
CAUTION:

For use with WAC ARCHITECTURAL track systems(120V).

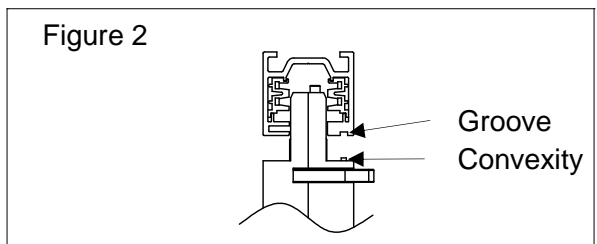
CAUTION –Read all instructions before installing.

Installing on Track:

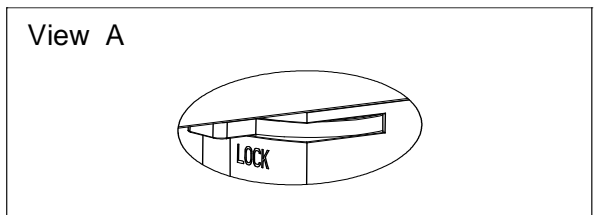
1. Make sure that the lock switch is in its unlock position and the circuit selection handle is in its off position. (See Figure 1)



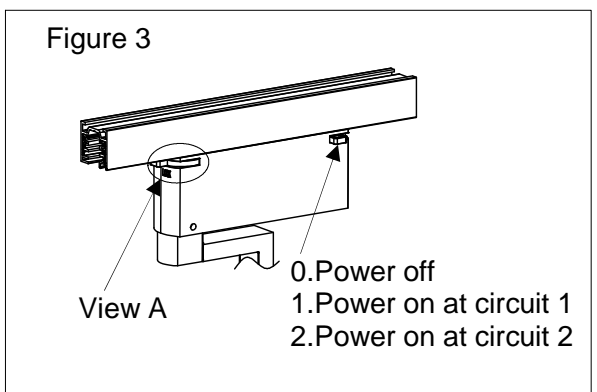
2. Align the convexity bump on the adaptor with the groove/slot on the track (See Figure 2). Once aligned slide adaptor box into the track.



3. To secure the fixture to the track turn the lock switch to its locked position. (See View A)

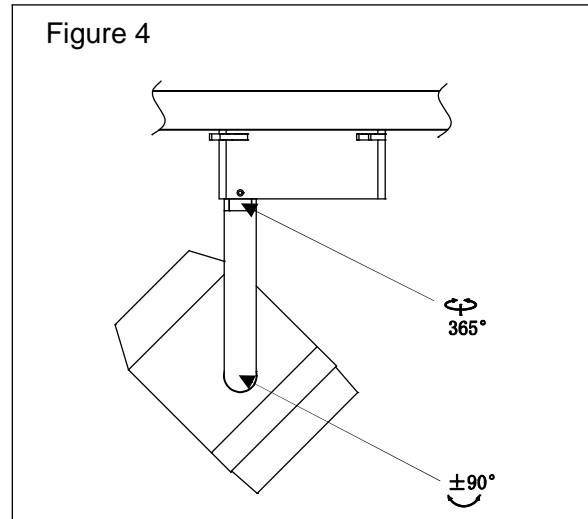


4. Now, choose the circuit to which you would like the luminaire to be powered on and turn the circuit selection handle to that circuit 1 or 2. (See Figure 3)



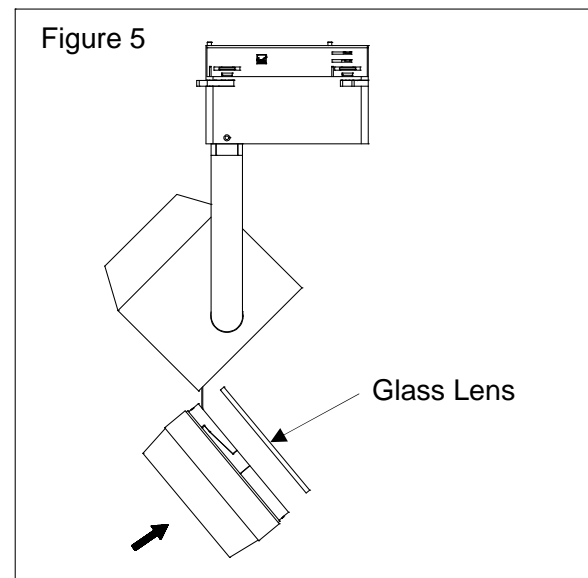
Positioning the Fixture:

5. After the light is on, rotate the luminaire's body horizontally or vertically to aim it properly. (See Figure 4)

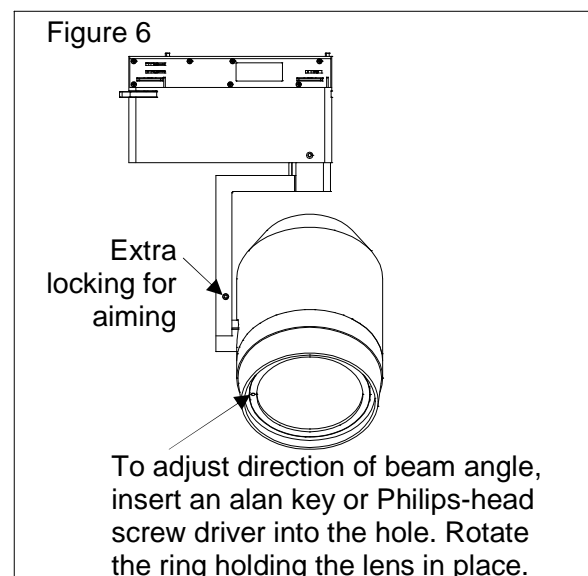


Removing or Changing Lens:

6. Turn the lens cap counter clockwise and allow the lens cap to hang. Press the lens softly to remove (See Figure 5). Re-attach the lens cap by turning the cap clockwise and locking it into place.



7. If necessary and beam elongating lens is not in its proper position, adjust the direction of the beam by turning the small hole on the trim around the lens until the beam is in its proper position. Screw in the hole on the arm to lock the aiming direction. (See Figure 6)



WAC LIGHTING
Responsible Lighting®

Retain these instructions for future service and adjustments
44 Harbor Park Drive, Port Washington, NY 11050
Tel: (800) 526-2588 Fax: (800) 526-5050
www.waclighting.com

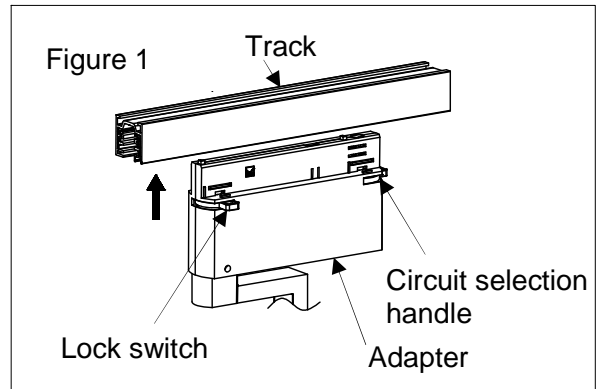
Instructions: WAC LED Track Fixture – PALOMA Series
Models: WHK-LED520/WHK-LED530

CAUTION:
For use with WAC ARCHITECTURAL track systems(277V).

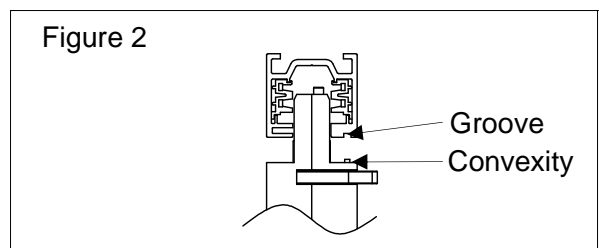
CAUTION –Read all instructions before installing.

Installing on Track:

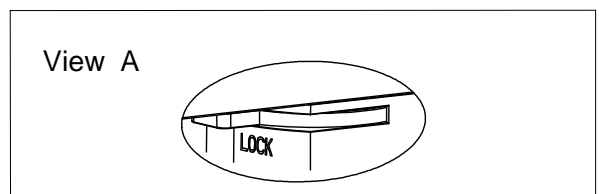
1. Make sure that the lock switch is in its unlock position and the circuit selection handle is in its off position.(See Figure 1)



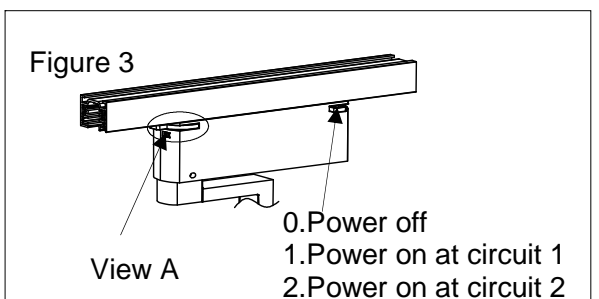
2. Align the convexity bump on the adaptor with the groove/slot on the track (See Figure 2).Once aligned slide adaptor box into the track.



3. To secure the fixture to the track turn the lock switch to its locked position. (See View A)



4. Now, choose the circuit to which you would like the luminaire to be powered on and turn the circuit selection handle to that circuit 1 or 2. (See Figure 3)



Positioning the Fixture:

5. After the light is on, rotate the luminaire's body horizontally or vertically to aim it properly. (See Figure 4)

Removing or Changing Lens:

6. Turn the lens cap counter clockwise and allow the lens cap to hang. Press the lens softly to remove (See Figure 5). Re-attach the lens cap by turning the cap clockwise and locking it into place.

7. If necessary and beam elongating lens is not in its proper position, adjust the direction of the beam by turning the small hole on the trim around the lens until the beam is in its proper position. Screw in the hole on the arm to lock the aiming direction. (See Figure 6)

