

INSTRUCTIONS:

Model: SBH-105 Fixture

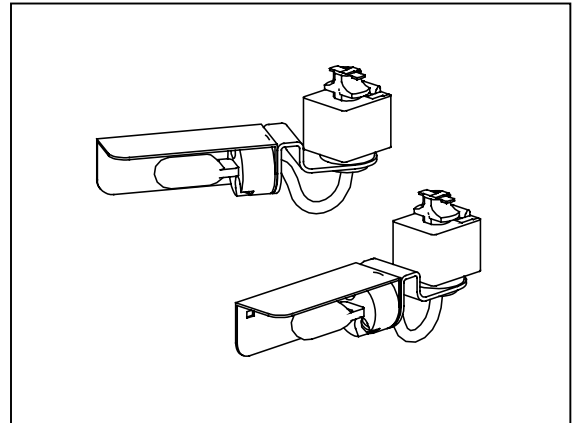
Read all instructions before installing.
Disconnect power before installing or re-lamping.

Overview: Fixtures are designed for use on WAC Linear system and are not compatible with other brands.

Lamp: T-3 Xenon (not tungsten halogen) G4 bi-pin, 12V/24V, clear or frosted. Visit our website www.waclighting.com for replacement lamp information. To install, align the pins on the lamp with holes in the socket. Gently insert the lamp using caution not to bend the pins of the lamp.

Installing fixtures:

Place the fixture contacts fully into the track channel, press tab and twist the fixture 90°. Fixtures are not polarized and may be turned in either direction. The fixture should feel tight in the track once installed.



W • A • C | LIGHTING

www.waclighting.com

615 South Street, Garden City, NY 11530
Tel: (516) 515-5000 Fax: (516) 516-5050

168 Brea Canyon Road, City of Industry, CA 91789
Tel: (909) 468-1848 Fax: (909) 468-9958

12/18/02 REV