

INSTRUCTIONS: 6" Series Shower Trims

Models: R6VT-34, R6VT-35, R6VT-36P, R6VT-36G, R6VT-63P,
R6VT-37, R6VT-63G-S, R6VT-64S, R6VT-38, R6VT-39

Important:

Read all instructions before installing.

System is intended for installation in accordance with National Electric Code, and local regulations. Consult with local inspector to assure compliance.

To reduce the risk, electrical shock, turn off power at main switch before installing or modifying the system.

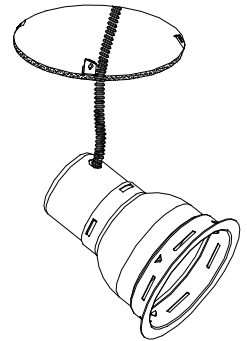
Retain instructions for future maintenance reference.

Overview:

Shower trims fit housings from the R6V series. Consult catalog or spec sheet for compatibility.

Installing Shower Trims in: Frame in Kits and New Construction Housings:

1. Snap the socket cup on to the trim as shown.
Note: The R6VT-34 & 35 models use the upper slot (see diagram on right)
2. On housings with adjustable retaining clips, make sure the clips are in the inward position.
3. Push the trim straight up until it is tight against the ceiling.

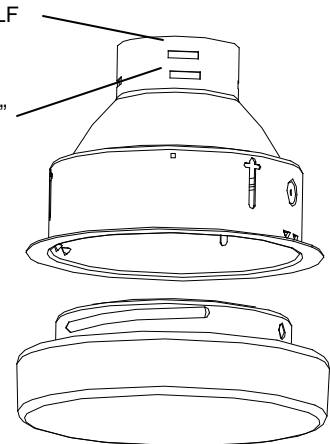


Remodeling:

1. Snap the socket cup on to the trim as shown.
2. Push the entire socket cup with its two wing springs into the can. The socket will center itself as it is inserted.
3. Push the trim up until it is tight against the ceiling.

Upper slot for CLF lamps

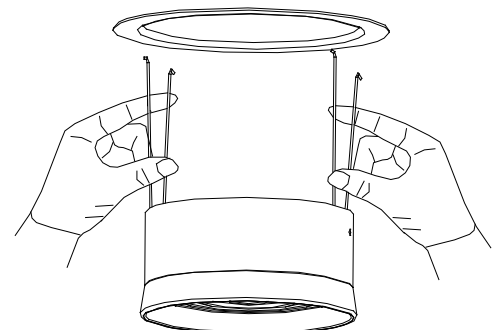
Lower slot for "A" lamps



Drop lens trim twists clockwise to install

Drop Lens trims:

1. The trim reflector has a pre-drilled hole that aligns with either end of the black spring clip in the "frame in" housing, or a slot in other style housings.
2. Insert a screw through the reflector to secure it to the housing.
3. The screw stops the trim from rotating when the lens is installed.
4. Lens twists clockwise to install and counter clockwise to remove.



Regressed lens shower trim

Regressed lens Trims:

1. Trims are installed as described above, with the following additions:
2. The lens resides in the recess of a trim ring.
3. The trim ring is equipped with torsion springs.
4. Compress the torsion springs and position the ends into the two slots in the trim reflector (see diagram).
5. Push the trim ring until it seats with the reflector.
6. To remove for relamping, pull on the inner trim ring edge and then compress the torsion springs while pulling downward.