

## INSTRUCTIONS: 5" Frame in Kits Series R5VFIK

Models: R5VF-113Q, R5VF-126/32T

### Important:

- Read all instructions before installing.
- For installation by a qualified electrician.
- System is intended for installation in accordance with National Electric Code, and local regulations. Consult with local inspector to assure compliance.
- To reduce the risk of fire, electrical shock and injuries to persons, turn off power at main switch before installing or modifying the system.
- Do not install insulation within 3 inches of fixture sides, or junction box.

UL listed. ENERGY STAR qualified.

Five ( 5 ) years limited product warranty (ballast is warranted for 2 year by its manufacturer).

### Overview:

Housings from this series are non-insulation contact, new construction type. Housing requires a trim from the R5V series, and lamp to be complete (ordered separately).

### Mounting:

Supplied with two hanger bars, (24" max). Bars can be used on all four sides and are notched on the ends to fit over "T" bars in suspended ceilings. Hanger bars include a captive mounting "screw-nail" for ease of installation.

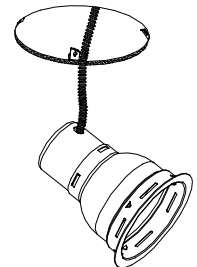
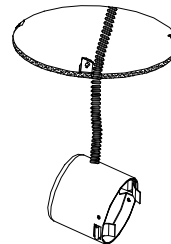
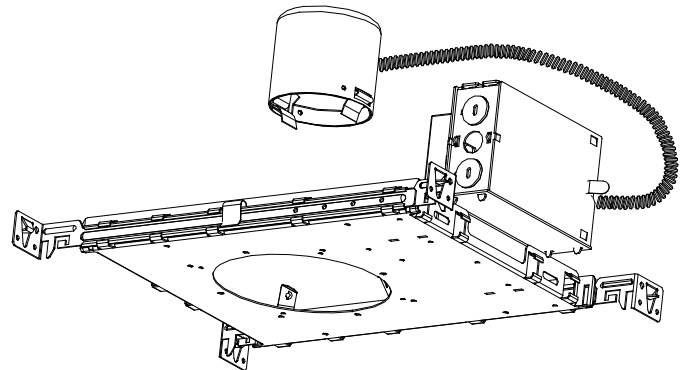
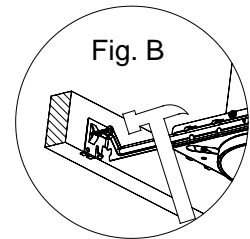
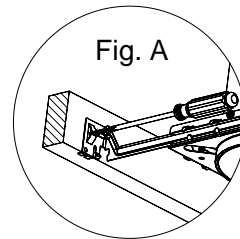
1. Align the bottom of the hanger bar with the bottom of the wood joist.
2. Secure the "screw-nail" on each end by screwdriver (as fig A), or by hammer (as fig B).
3. Junction box is suitable for branch wiring and has trade size knockouts and integral non-metallic sheathed cable connectors.
4. Pry open the knock out and push the wire through the clamp plate inside.
5. Wire connections must be installed in a manner that does not interfere with the strain relief action of the clamp.

### Wiring:

1. Remove spring latched junction box door and connect fixture wires to building wires in the following sequence: White fixture wire to white neutral wire, black fixture wire to (hot) black wire and green ground wire to bare ground wire.
2. Use push-in type wire connectors supplied, or wire nuts.
3. Replace junction box door.

### Finishing:

1. Cut out a 5 ¼" hole in the drywall.
2. Housing retaining clips have two positions to accommodate various diameters of trim reflectors: Push outward for hole cutting then set clip position appropriate for the trim.
3. Pull socket cup through hole and attach to top of trim reflector.
4. Push the trim up to the finished position.



Attach reflector to socket cup and push assembly up to the ceiling.

## Lamp Information

### 1. Compact Fluorescent lamp:

ITEM	Lamp
R5VF-126/32T,	CFTR32W/GX24q/830, 3000K CFTR26W/GX24q/830, 3000K
R5VF-113Q	CFQ13W/GX24q/830, 3000K

### 2. With 10,000 hours or more rated life

## Ballast Information

ITEM	Rated Lamp Watts	Voltage	Input Power (ANSI Watts):
R5VF-126/32T,	26W/32W	120-277V	29W/36W
R5VF-113Q	13W	120-277V	16W

Minimum 2 years warranty from the manufacturer of the ballast.

## Ballast Replacement

NOTE: Ballast should be replaced by a qualified electrician

1. Remove trim
2. Remove inner junction box cover by releasing spring clip.
3. Disconnect ballast from input wiring and lampholder leads (leads are terminated with either wire nuts or push release connectors on ballast).
4. Remove outer junction box cover with ballast attached by releasing spring clip.
5. Replace ballast with a Factory Approved, Energy Star qualified ballast.
6. Reinstall ballast by reversing steps 1 through step 4.

## 5 Year Limited Product Warranty

WAC warrants to the first non-dealer purchaser of any of its products that they are to be free from defects in material and workmanship for a period of five (5) years from the date of purchase. If a product is defective, WAC's obligation is expressly limited to repair or replacement, without charge, at WAC's factory after prior written return authorization has been granted. WAC's obligation under this warranty shall not extend beyond the distributor's initial purchase price of the product and accordingly any consequential damages or labor costs arising out of a defect are expressly excluded.

This warranty shall not apply to products that have been altered, improperly installed, mishandled or misused. Notice of a defect in writing must be received by WAC within five (5) years from the date of purchase. Excluded from the five (5) year warranty are all light bulbs, which are warranted to perform satisfactorily to the industry standard burning hours rating, but in no event shall such warranty exceed five (5) years from the date an account purchases product that includes light bulbs from WAC. Also excluded from the five (5) year warranty are the Fluorescent ballasts, which have a warranty from the manufacturer of the ballast and WAC will not accept any responsibility or liability on the ballasts whatsoever. **THERE ARE NO WARRANTIES WHICH EXTEND BEYOND THE DESCRIPTION ON THE FACE HEREOF INCLUDING WARRANTIES OF MERCHANTABILITY AND FITNESS FOR A PARTICULAR PURPOSE.** Contact WAC for information regarding the manufacturer's warranties.