

INSTRUCTIONS: 4" Remodeling Housing

Model R4VI-R

Important:

Read all instructions before installing.

For installation by a qualified electrician.

System is intended for installation in accordance with National Electric Code, and local regulations. Consult with local inspector to assure compliance.

To reduce the risk of fire, electrical shock and injuries to persons, turn off power at main switch before installing or modifying the system.

Warning: (Risk of fire) do not install insulation within 3 inches of fixture sides, or junction box, or in a manner to entrap heat.

Retain instructions for future maintenance reference.

Overview:

Housing is non insulation contact, remodeling type. Housing requires a trim from the R4VT series, and lamp to be complete (ordered separately).

Cut Out:

1. Use the template (supplied) to make a 4" cut out hole in the existing ceiling.
2. Pull ceiling wire through the hole.

Wiring:

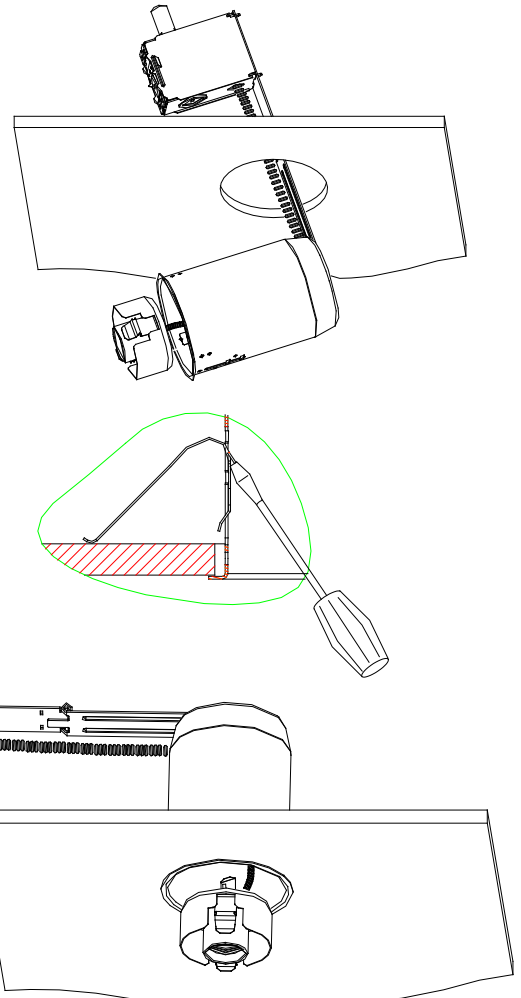
1. Junction box is suitable for branch wiring and is supplied with trade size knockouts and integral Romex connectors
2. For Romex, pry open the knock out and push the wire through the clamp plate inside.
3. Wire connections must be installed in a manner that does no interfere with the strain relief action of the clamp.
4. Open an appropriate knock out hole for the wire type.
5. Remove spring latched junction box door and connect fixture wires to building wires in the following sequence: White fixture wire to white neutral wire, black fixture wire to black (hot) wire, and green ground wire to bare ground wire.
6. Use push-in type wire connectors supplied, or wire nuts.
7. Replace junction box door.

Mounting:

1. Pivot the J box end up through the hole, followed by the can.
2. Hold the rim snug to the ceiling surface.
3. From inside the housing push and pivot the housing clips so they make contact with the top of the ceiling Note: 1 inch maximum ceiling thickness.

Finishing:

1. Attach the socket cup to the top of the trim reflector. The wings will center the socket cup.
2. Push the trim up to the finished position.



Wing springs hold and center the socket cup inside the housing.