

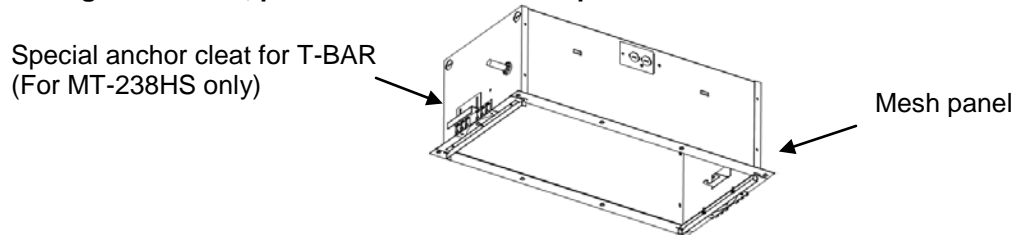
INSTRUCTIONS: Multiple Recessed Housings MT-138HS, MT-238HS

CAUTION

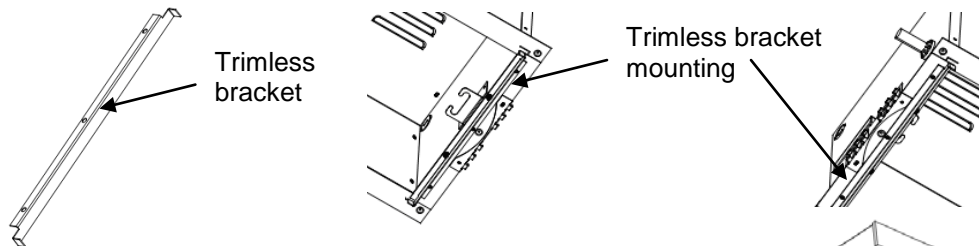
- Always turn off power at the circuit breaker panel or fuse box prior to installation to prevent electrical shock.
- Do not install insulation within 3" of housing.

Designed for installation in dropped grid ceilings or to joist members in new construction ceilings.

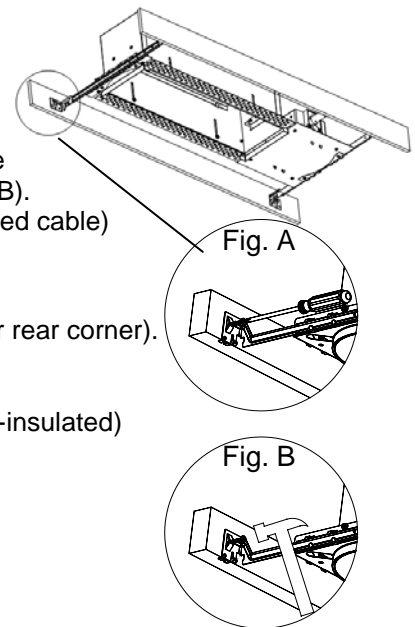
Note: For drop ceiling installation, please remove the mesh panel.



For trimless installation, please install the bracket with screws provided.

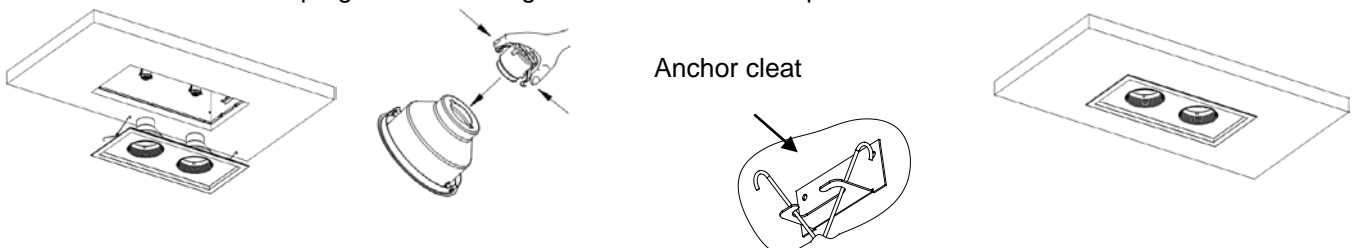


1. Supplied with two hanger bars, (24" max). Bars can be used on both sides and are notched on the ends to fit over "T" bars in suspended ceilings. Hanger bars include a captive mounting "screw-nail" for ease of installation. Align the bottom of the hanger bar with the bottom of the wood joist. Secure the "screw-nail" on each end by screwdriver (as fig A), or by hammer (as fig B).
2. Draw supply wire (1/2" trade size flexible metal conduit or non-metallic sheathed cable) from ceiling to fixture site.
3. To make electrical connections:
 - a. Remove the one screw securing junction compartment cover plate (inner rear corner).
 - b. Select appropriate knock out location, use suitable connector.
 - c. Connect white to white and black to black wires using wire nuts.
 - d. Connect Green grounding wires with wire nut. (Wire may be green or un-insulated)
 - e. Close junction compartment cover.
4. Install ceiling.
5. Use template supplied to make appropriate cutout for trim installation.



To install Trim

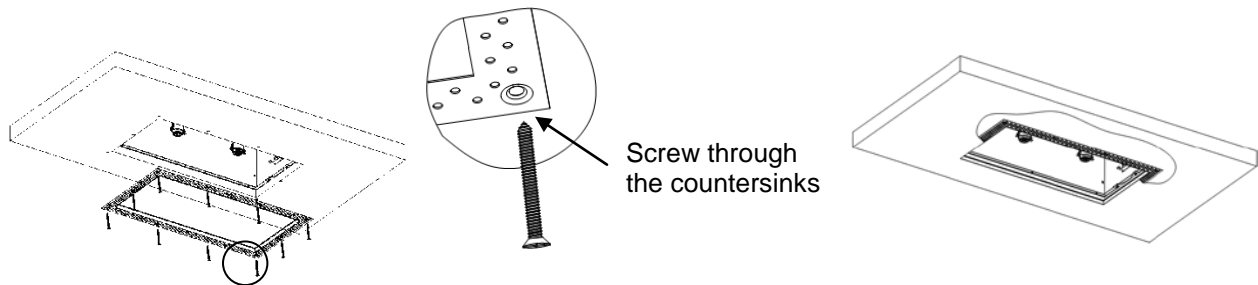
- a. Raise the trim to the housing and place socket from housing to back of trim as shown in the trim hole and depress socket springs to clip in place.
- b. Attach by securing the torsion springs and guiding them through the anchor cleats.
- c. Push trim flush up against the ceiling and install PAR38 lamps.



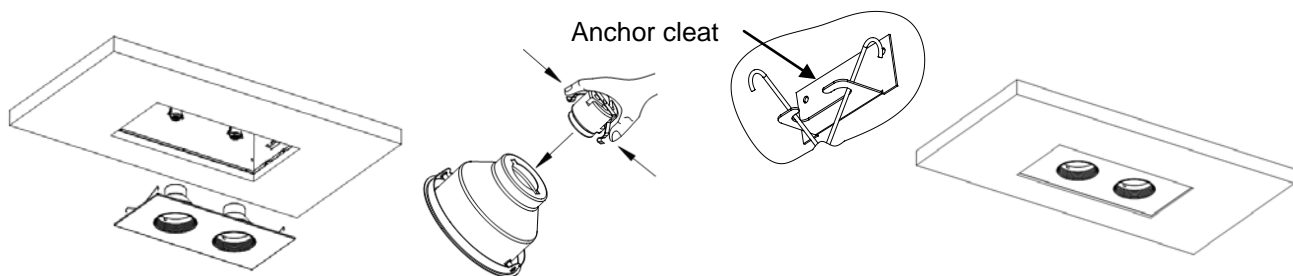
Trimless installation

Note: For trimless installation, please install the bracket with screws provided.

- a. Raise screen panel to ceiling opening and secure with screws supplied.
- b. Apply plaster over screen panel and sand surface when dry for a finish look.



- c. Raise trim to the housing and place socket from housing to back of trim as shown in the trim hole and depress socket springs to clip in place.
- d. Attach by securing the torsion springs and guiding them through the anchor cleats.
- e. Push trim flush up against the ceiling and install PAR38 lamps.



Retain instructions for maintenance reference.



Retain these instructions for future service and adjustments
615 South Street, Garden City, NY 11530
Tel: (516) 515-5000 Fax (516) 515-5050
www.waclighting.com