

INSTRUCTIONS Flexrail2 Compact Fluorescent Fixtures
Models: HM-W218 HM-W227
HM-W239 HM-W240

Safety Instructions:

For installation by a qualified electrician. Fixture is intended for installation in accordance with National Electric Code, local and Federal code specifications.

To reduce the risk of fire, electrical shock and injuries to persons:

1. Read all instructions.
2. Turn off power at main switch before installing or modifying the system.
3. Do not install within six inches of any curtain or combustible materials.
4. Do not install less than 5 feet above a floor.
5. Do not install in damp or wet locations.
6. Do not install concealed, or extended through building walls.
7. Do not attempt to energize anything other than a track light fixture.
8. Do not load rail to more than 20 amps per circuit.

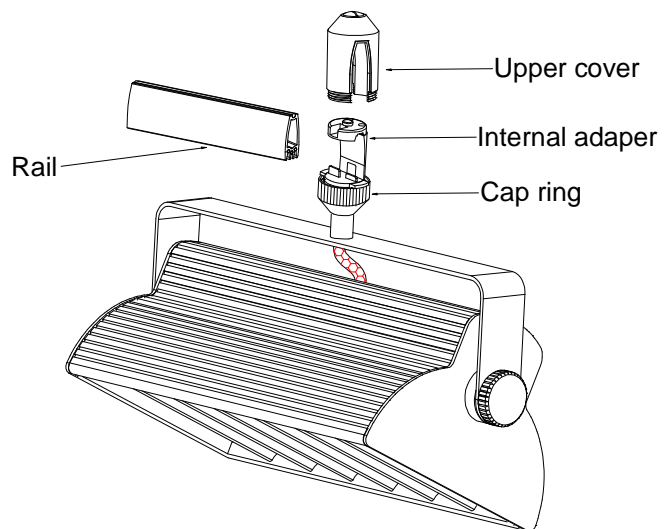
Overview:

Fixtures are designed for use on WAC Flexrail2 series track. All fixtures come with self-contained electronic ballasts rated for use with 120 volt. They are supplied without lamps.

Installing Fixtures:

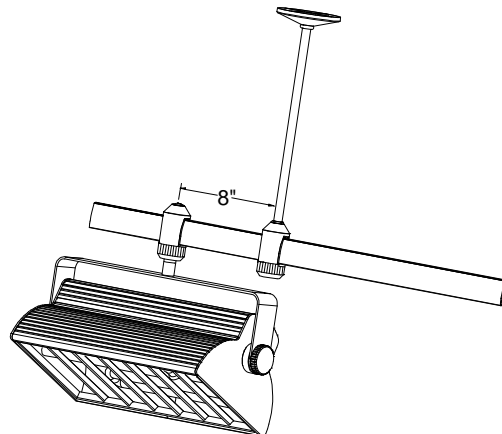
The fixture adapter is comprised of a cover piece and an internal adapter.

1. Loosen the cap ring counterclockwise, to free the top cover. Pull the cover straight off.
2. Note that the internal adapter is constructed in two pieces, with ¼ inch of play between the two. Apply tension to keep the two adapter parts separated so that the metal contacts are mostly hidden.
3. The open end of the adapter is now in the correct position to be pivoted on to the rail.
4. Plant the top end first and pivot the lower end in.
5. Once mounted squeeze the two adapter parts and visually check that the contacts seat in the rail grooves.
6. Replace cap ring and upper cover in the order they were removed.



Note: Installing the fixture from the reverse side engages the second circuit.

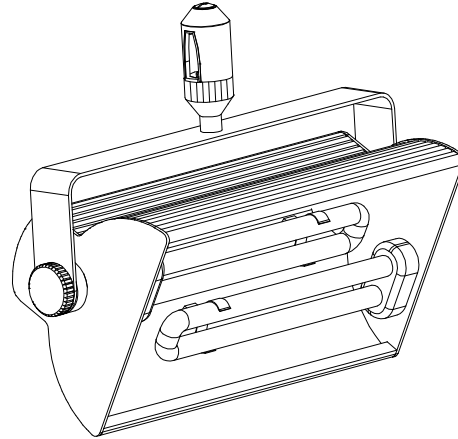
If using heavy elements, such as pendants or ballasted fixtures, place a support not more than 8" from the fixture mount. (see diagram right).



Installing lamp:

For models with plastic lamp support brackets:

1. Gently pivot the lamp tubes into the arms of the support.
2. Align the lamp pins with the holes in the socket. Hold lamp from the base and slide into the socket.
3. Removal is the reverse procedure.



Model	Type	Compact Fluorescent Brand Name Cross Reference		
		GE	Osram/Sylvania	Philips
HM-W218	(2) 18 watt	Biax®	Dulux®L	PL-L
HM-W227	(2) 27 watt			
HM-W239	(2) 39 watt			
HM-W240	(2) 40 watt*			

* Note: Watts ratings vary between manufacturers.

Installing Louver:

The louver has a raised profile on both the top and bottom edges. It is press fit into the face of the fixture.

1. Install louver on a firm surface prior to installing in track.
2. Set one edge into fixture. Press down hard while inserting the other edge.