

## INSTRUCTIONS

### Models:

## Flexrail2 Suspension & Ceiling Installation

HM-TB6 HM-TB12 HM-TB24 HM-TB36 HM-TB48

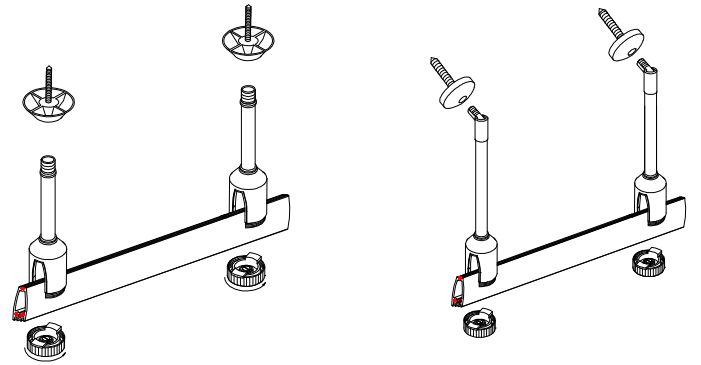
HM-X6 HM-X12 HM-X24 HM-X36 HM-X48

HM-XS6 HM-XS12 HM-XS24 HM-XS36 HM-XS48

### Rail mounting:

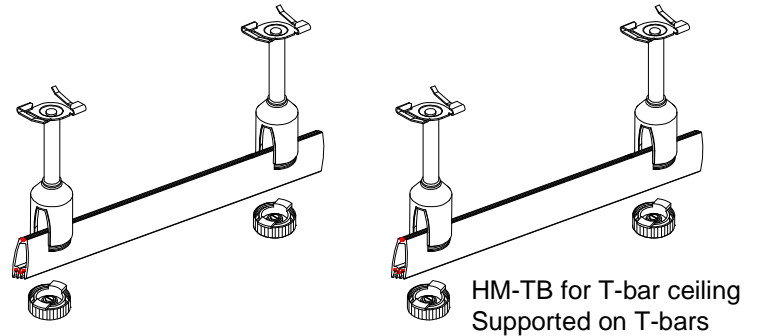
Rail can be mounted on a flat surface, a sloped ceiling, or a suspended ceiling.

1. Use three standoffs for every 8ft of straight rail (support every 42"). Curved rail requires more supports. Field curved track sections should be supported every 32". If using heavy elements such as pendants or ballasted fixtures place a support not more than 8" from the fixture mount (see diagram below).
2. Assemble rail at floor level then, raise to ceiling and mark standoff locations.
3. If rail cannot be raised, use a plumb line to mark standoff locations.
4. **For drywall**, drill 5/8" holes and insert ceiling anchors (supplied) through the bases of the standoffs and then into the ceiling (shown) tighten until snug. **For wood** surfaces use wood screws through the standoff bases and fully tighten. **For "T" bars** (It is recommended that bars be reinforced with Caddy® clips to the ceiling structure) Twist "T" bar clip onto the "T" bar, then proceed to step 6. For support at a ceiling panel install a support frame between two T-bars.
5. Install the standoff shaft into the base by threading clockwise.
6. Unscrew the cap from the bottom of the rail adapter. With the adapter now open, raise the rail into position and re-install the cap.
7. Work from the center outward. Repeat procedure for remaining standoffs.

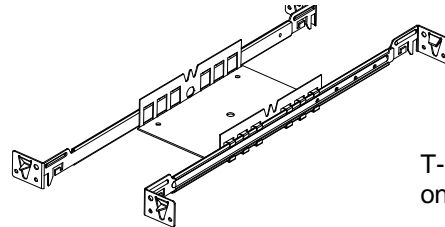


HM-X for flat ceiling use

HM-XS for slope ceiling use



HM-TB for T-bar ceiling Supported on T-bars



T-bar ceiling supported on ceiling panel

Sufficient standoff support within 8" of fixture attachment

