

INSTRUCTIONS: Installing Flexrail2 Fixtures

Models: HM-737 HM-727 HM-715

Safety Instructions:

A qualified electrician must install fixture only. Fixture is intended for installation in accordance with National Electric Code, local and Federal code specifications.

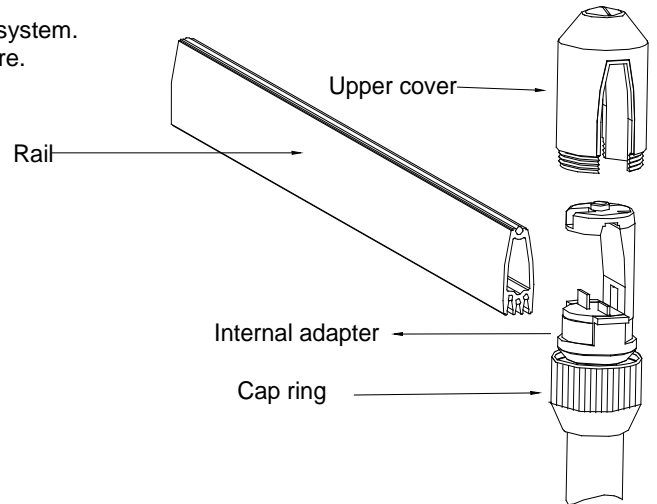
To reduce the risk of fire, electrical shock and injuries to persons:

1. Read all instructions.
2. Turn off power at main switch before installing or modifying the system.
3. Do not attempt to energize anything other than a track light fixture.
4. Fixtures designed for use on WAC Flexrail2 only.

Installing Fixtures:

The fixture adapter is comprised of a cover piece and an internal adapter.

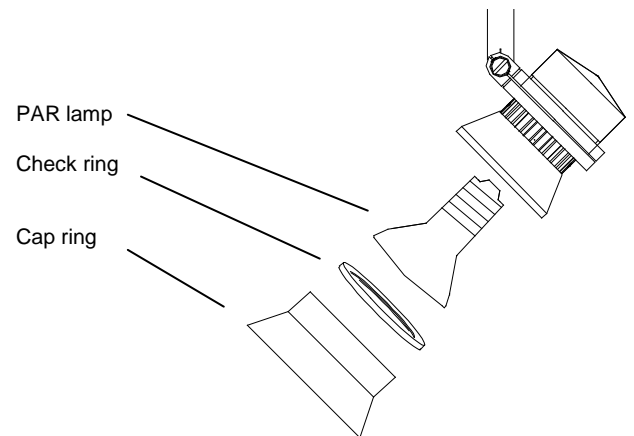
1. Loosen the cap ring counter clockwise, to free the top cover. Pull the cover straight off.
2. Note that the internal adapter is constructed in two pieces, with $\frac{1}{4}$ inch of play between the two. Keep the adapter parts spread so that the metal contacts are recessed.
3. The open end of the adapter is now in the correct position to be pivoted on to the rail.
4. Plant the top end first and pivot the lower end in.
5. Once mounted squeeze the two adapter parts and visually check that the contacts seat in the rail grooves.
6. Replace cap ring and upper cover in the order they were removed.



Note: Installing the fixture from the reverse side engages the second circuit.

Lamping:

1. For HM-737 use PAR 38 lamp, 150-watt max.
2. For HM-727 use PAR 30 lamp, 75-watt max
3. For HM-715 use PAR 20 lamp, 50-watt max.
4. Remove the cap ring by twisting counter-clockwise.
5. Insert the PAR lamp by screwing clockwise into lamp socket.
6. Re-install the cap ring.



Accessories:

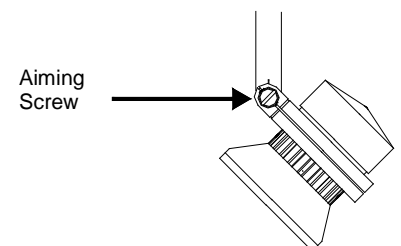
Accepts up to two accessories. The check ring may be removed and an accessory lens and/or louver can be inserted into the form fitting recess.

Accessory combinations could be a dichroic lens with honeycomb louver, colored lens with cross baffle louver, etc.

1. Once the cap ring has been removed, unscrew the check ring.
2. Place the new lens or louver into the recess and re-install the check ring.

Aiming:

1. Adjust head rotation using the aiming scale below transformer.
2. Adjust vertical aiming position by tilting head to desired angle.
3. Lock fixture head into position by tightening the two aiming screws.



Retain instructions for future reference.