

INSTRUCTIONS: Low Volt Wall Sconce Models: WS-MR52

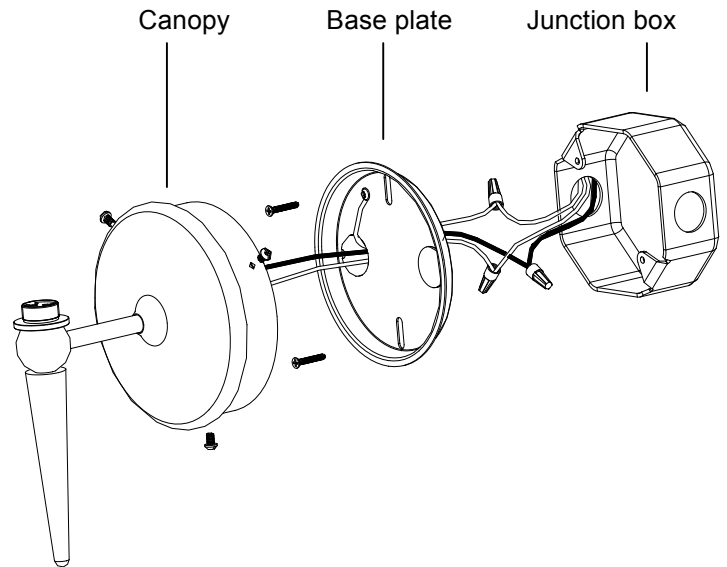
CAUTION:

Always turn off power at fuse box prior to installation to prevent electrical shock.
For installation by a qualified electrician.
Install over a standard 4 inch junction box.
All wires must be contained in the junction box.

Overview: Wall sconces are designed to accept glass shades from the G500 series, except the G513, G514, G517 & G519 shades. Canopies come with self-contained electronic transformers that can generally be used with standard incandescent dimmer switches.

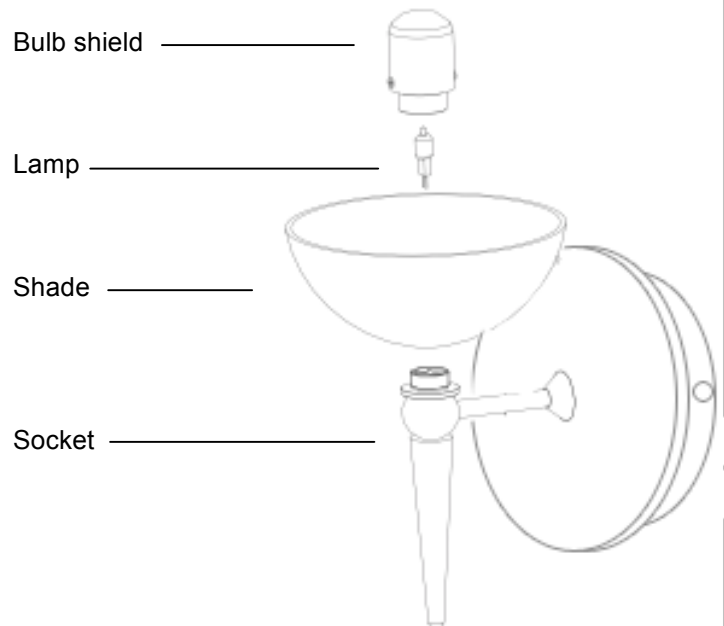
Fixture Installation:

1. Loosen the three canopy screws and separate the canopy from the base plate.
2. Remove a knock out from the base plate.
3. Support canopy and guide the black and white wires and from the transformer through the knock out in the base plate and into the Junction box.
4. Connect ground wire from junction box to the green grounding wire from the base plate.
5. Connect corresponding line volt wires from the junction box to transformer wires, with wire nuts (supplied). Tuck excess wire into the junction box.
6. Attach the base plate to the junction box using the slotted holes.
7. Position the canopy to the base plate, and tighten the three screws loosened earlier.



Installing Lamp & Shade:

1. Use 12V 50W bi-pin Halogen lamp with G6.35 base (supplied).
2. Insert the lamp into the fixture by aligning the pins with the socket holes, and gently pushing until lamp seats.
3. Position shade so that threads go through the hole in the shade and screw on Bulb Shield from above.



Retain instructions for future reference.

INSTRUCTIONS:

Line Volt Wall Sconce Models: WS-MR56H

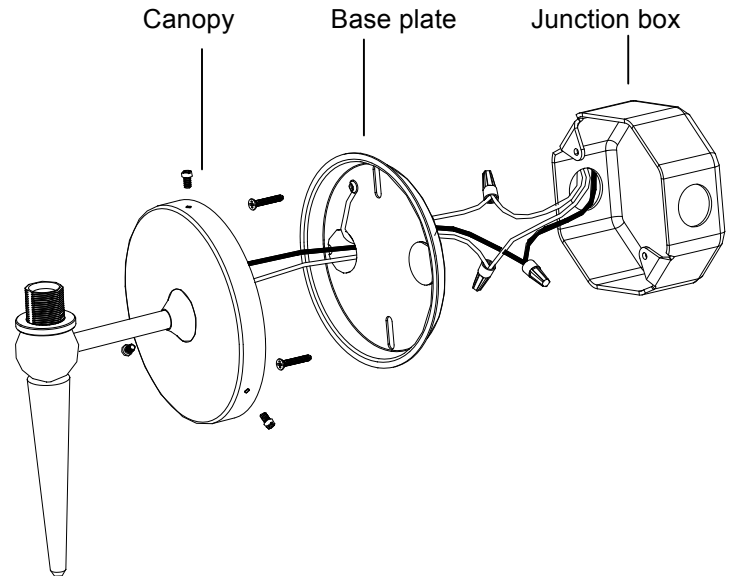
CAUTION:

Always turn off power at fuse box prior to installation to prevent electrical shock.
For installation by a qualified electrician.
Install over a standard 4 inch junction box.

Overview: This 120 volt wall sconce is designed to accept the G515, G516, G518, & G522 series shades. Check catalog for various color choices.

Fixture Installation:

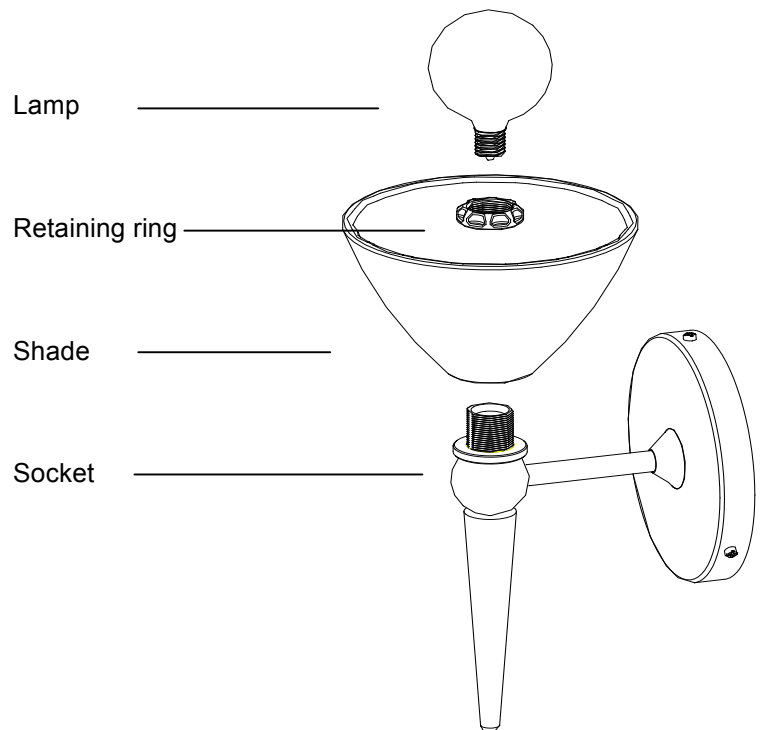
1. Loosen the three canopy screws and separate the canopy from the base plate.
2. Remove a knock out from the base plate.
3. Guide the black, white wires from the transformer through the knock out in the base plate.
4. Connect ground wire from junction box to the green grounding wire from the base plate.
5. Connect corresponding wires from the junction box to fixture wires, with wire nuts (supplied).
6. Attach the base plate to the junction box using the slotted holes.
7. Position the canopy to the base plate, and tighten the three screws loosened earlier.



Installing Lamp & Shade:

1. Position shade so that threads go through the hole in the shade and screw on the retaining ring from above.
2. Use a G16-1/2 lamp with a candelabra base (supplied).
3. Screw clockwise to install.

Retain instructions for future reference.



INSTRUCTIONS:

Line Volt Wall Sconce Models: WS-MR55H

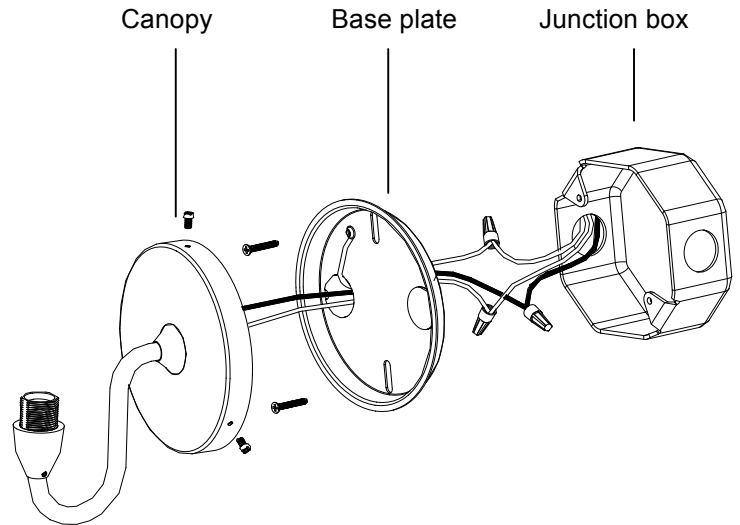
CAUTION:

Always turn off power at fuse box prior to installation to prevent electrical shock.
For installation by a qualified electrician.
Install over a standard 4 inch junction box.

Overview: This 120 volt wall sconce is designed to accept the G515, G516, G518, & G522 series shades. Check catalog for various color choices.

Fixture Installation:

1. Loosen the three canopy screws and separate the canopy from the base plate.
2. Remove a knock out from the base plate.
3. Guide the black, white wires from the transformer through the knock out in the base plate.
4. Connect ground wire from junction box to the green grounding wire from the base plate.
5. Connect corresponding wires from the junction box to fixture wires, with wire nuts (supplied).
6. Attach the base plate to the junction box using the slotted holes.
7. Position the canopy to the base plate, and tighten the three screws loosened earlier.



Installing Lamp & Shade:

1. Position shade so that threads go through the hole in the shade and screw on the retaining ring from above.
2. Use a G16-1/2 lamp with a candelabra base (supplied).
3. Screw clockwise to install.

Retain instructions for future reference.

