

INSTALLATION INSTRUCTION

106 - LED Wall Sconce

WS-10614

WAC LIGHTING

Responsible Lighting®

WARNING

IMPORTANT: NEVER attempt any work without shutting off the electricity.

- Read all instructions before installing.
- System is intended for installation by a qualified electrician in accordance with the National Electrical Code and local regulations.
- Go to the main fuse box, or circuit breaker. Place the main power switch in the "OFF" position and unscrew the fuse(s) or switch "OFF" the circuit breaker switch(es) that control the power to the fixture or room that you are working on.
- Place the wall switch in the "OFF" position.

CAUTION

- All parts must be used as indicated in these instructions. Do not substitute any parts, leave parts out, or use any parts that are worn out or broken. Failure to follow this instruction could invalidate the ETL/CETL listing of this fixture.
CAUTION When handling the fixture, do not apply pressure to the LEDs. Hold the fixture by the base only.

AVERTISSEMENT

IMPORTANT : Coupez l'électricité avant TOUTE manipulation.

- Lisez toutes les instructions avant d'installer.
- Système est destiné à être installé par un électricien qualifié en conformité avec le code national de l'électricité et les règlements locaux.
- Accédez au panneau central de disjoncteurs ou de fusibles de votre demeure et placez l'interrupteur principal en position d'arrêt (« OFF »).
- Placez l'interrupteur mural en position d'arrêt (« OFF »).

MISE EN GARDE

- Toutes les pièces doivent être utilisées tel qu'il est indiqué dans ces instructions. Ne remplacez pas les pièces, n'en laissez pas de côté et ne les utilisez pas si elles sont usées ou brisées. Le non-respect de ces instructions peut annuler l'homologation ETL/CETL du luminaire. MISE EN GARDE Ors de la manipulation de l'appareil, ne pas appliquer de pression à la LED, tenir l'appareil par la seule base.

ADVERTENCIA

IMPORTANTE: NUNCA intente hacer trabajos sin desconectar el suministro eléctrico.

- Lea y comprenda todas las instrucciones e ilustraciones por completo antes de proceder con el ensamblaje e instalación de esta lámpara.
- Sistema está diseñado para ser instalado por un electricista calificado, de acuerdo con el código eléctrico nacional y las normas locales.
- Diríjase a la caja de fusibles o a la caja del interruptor de circuito principal en su hogar. Coloque el interruptor de alimentación principal en la posición "OFF" (APAGADO).
- Coloque el interruptor de la pared en la posición "OFF" (APAGADO).

PRECAUCIÓN

- Todas las piezas deben usarse como lo indican estas instrucciones. No reemplace las piezas, no omita piezas durante la instalación ni utilice piezas gastadas o rotas. El incumplimiento de esta indicación podría invalidar la calificación ETL/CETL esta lámpara. PRECAUCIÓN Al manipular el aparato, no aplique presión a los LED, mantenga el aparato en la base sólo.

HARDWARE

A1



Wire Connector
Qty: 5 pcs + 1 Extra
7EAC112201

B1



Junction Box Screw
Qty: 2 pcs + 1 Extra
7MPF0415C2

C1



Mounting Screw
Qty: 1 Extra
7MPF0412S1

D1



Knurled Nut
Qty: 1 Extra
7MPM031001NI

E1



Screw
Qty: 4 pcs + 1 Extra
7MPF0406C3

F1



Mounting Screw
Qty: 2 pcs + 1 Extra
7MPF0415C2

waclighting.com

Phone (800) 526.2588

Fax (800) 526.2585

Headquarters/Eastern Distribution Center

44 Harbor Park Drive

Port Washington, NY 11050

Central Distribution Center

1600 Distribution Ct

Lithia Springs, GA 30122

Western Distribution Center

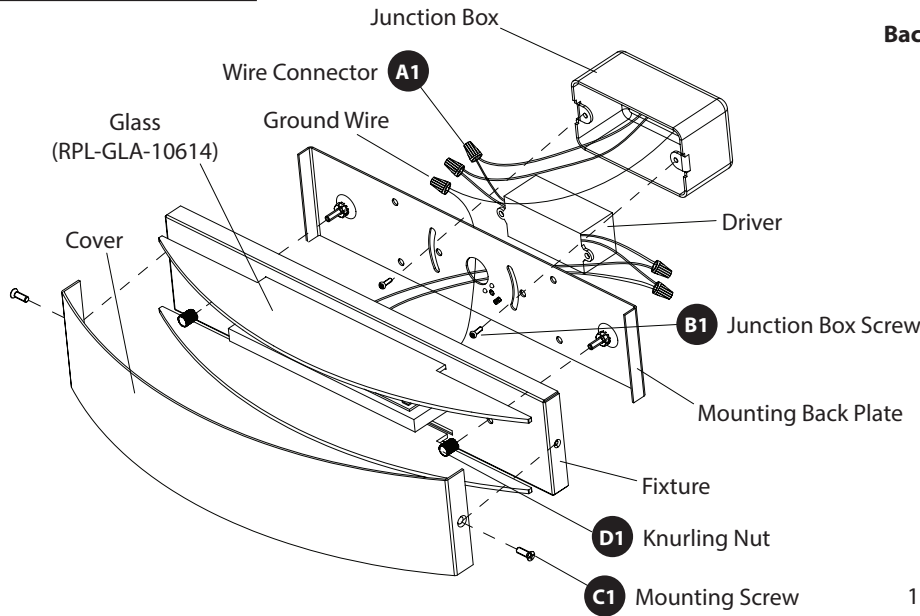
1750 Archibald Avenue

Ontario, CA 91760



INSTALLATION INSTRUCTION
106 - LED Wall Sconce
 WS-10614

FIG.1 MOUNT ON SWITCH BOX



Back Plate Dimensions

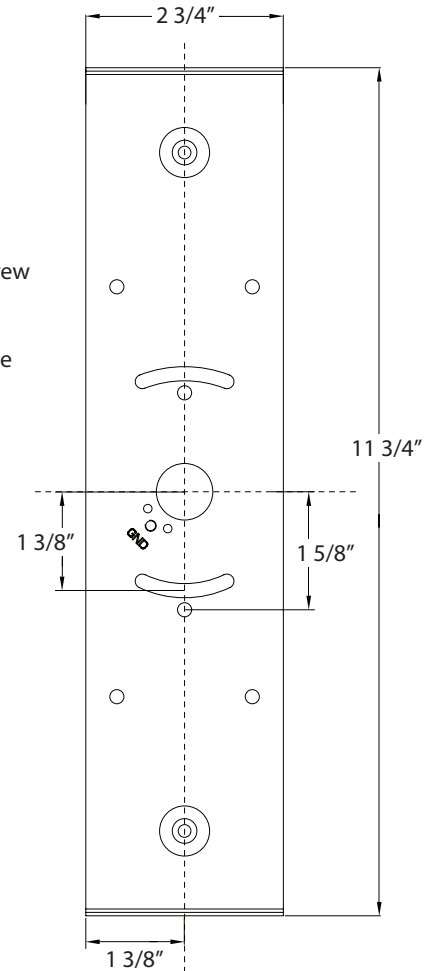
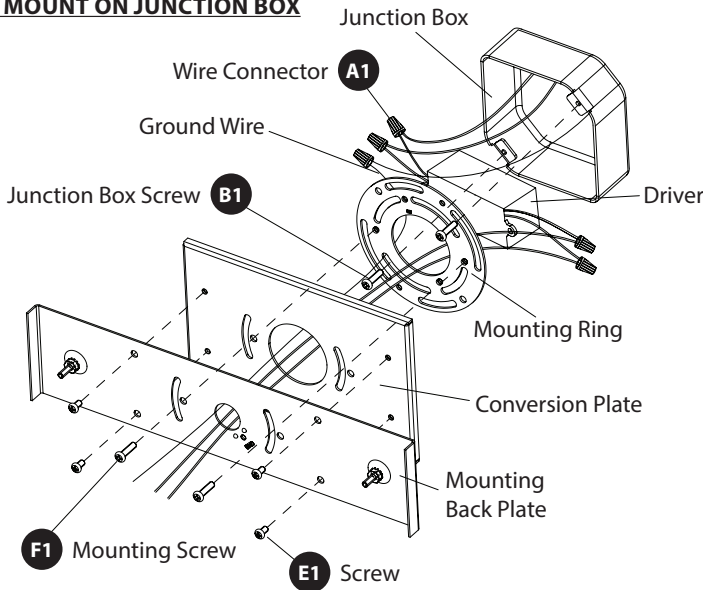


FIG.2 MOUNT ON JUNCTION BOX



Mounting Ring Dimensions

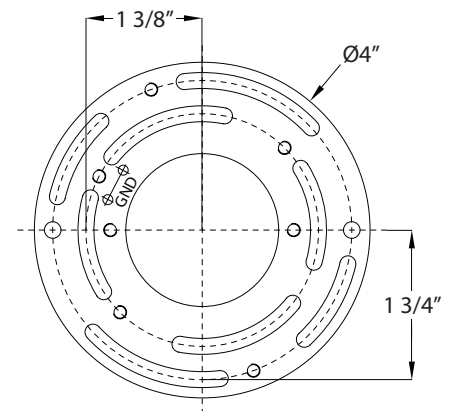
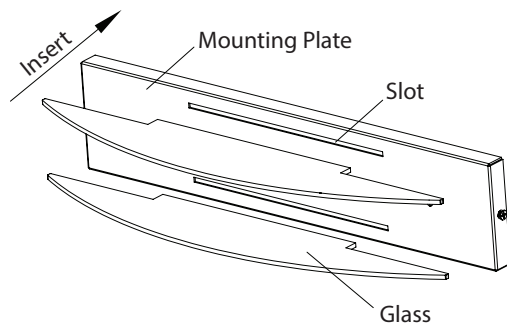


FIG.3



waclighting.com
 Phone (800) 526.2588
 Fax (800) 526.2585

Headquarters/Eastern Distribution Center
 44 Harbor Park Drive
 Port Washington, NY 11050

Central Distribution Center
 1600 Distribution Ct
 Lithia Springs, GA 30122

Western Distribution Center
 1750 Archibald Avenue
 Ontario, CA 91760



INSTALLATION INSTRUCTION

106 - LED Wall Sconce

WS-10614

WAC LIGHTING

Responsible Lighting®

PREPARATION

1. Shut off the power at the circuit breaker and remove existing fixture, including the crossbar.
2. Carefully unpack your new fixture and lay out all the parts on a clear area. Be careful not to lose any small parts necessary for installation.

INSTALLATION

MOUNT ON SWITCH BOX (Fig. 1)

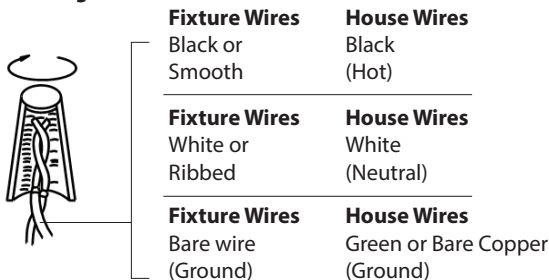
3. Remove the mounting screw (C1) from the fixture, and then take down the front cover.
4. Connect the Driver's input wires to switch box wires as shown in **Fig. 4**, making sure that all wire connectors (A1) are secured. If your outlet box has a green or bare copper ground wire, connect the fixture's ground wire to it. Otherwise, connect the fixture's ground wire directly to the back plate using the green screw provided. After wires are connected, tuck them carefully inside the switch box.
***Requires Driver to be recessed in the switch box.**
5. Remove the knurled nut (D1), take apart the mounting back plate.
6. Secure the mounting back plate to the switch box using junction box screws (B1). The side of the mounting back plate marked "GND" must face out.
7. Connect the Driver's output wire to the fixture wire as Shown in **Fig. 4**. After wires are connected, tuck them carefully inside the switch box.
8. Secure the fixture to the mounting back plate using knurled nut (D1).
9. Insert the top and bottom plate glass into the slot as shown in **Fig. 3**.
10. Secure the front cover to fixture using mounting screw (C1).

OR

MOUNTING ON JUNCTION BOX (Fig. 2)

3. Remove the mounting screw (C1) from the fixture, and then take down the front cover.
4. Remove the knurled nut (D1), take out the mounting back plate.
5. Secure the mounting back plate to the conversion plate with screw (E1).
6. Connect the Driver's input wires to junction box wires as shown in **Fig. 4**, making sure that all wire connectors (A1) are secured. If your outlet box has a green and bare copper ground wire, connect the fixture's ground wire to it. Otherwise, connect the fixture's ground wire directly to back plate using the green screw provided.
***Requires Driver to be recessed within the junction box.**
7. Secure the mounting ring to the junction box using junction box screws (B1). The side of the mounting back plate marked "GND" must face out.
8. Secure the mounting back plate and conversion plate to the mounting ring with mounting screw (F1).
9. Connect the Driver's output wire to the fixture wire as Shown in **Fig. 4**. After wires are connected, tuck them carefully inside the junction box.
10. Insert the top and bottom glass into the slot as shown in **Fig. 3**.
11. Secure the fixture to the mounting back plate using knurled nut (D1).
12. Install back the front cover to fixture using mounting screw (C1).

Fig. 4 Wiring



waclighting.com
Phone (800) 526.2588
Fax (800) 526.2585

Headquarters/Eastern Distribution Center
44 Harbor Park Drive
Port Washington, NY 11050

Central Distribution Center
1600 Distribution Ct
Lithia Springs, GA 30122

Western Distribution Center
1750 Archibald Avenue
Ontario, CA 91760

