

**INSTALLATION INSTRUCTION**  
**300 Series LED Quick Connect™ Socket Set**  
 QP-LED303, MP-LED303

**WAC LIGHTING**  
 Responsible Lighting®

**OVERVIEW:**

Socket Set LED303 is designed for use with WAC MP-60E and all WAC quick connect canopies. Model MP-LED303 uses the same socket set as Model QP-LED303 except for QP-LED303 with a quick connector.

**Model MP-LED303** is use with WAC power unit MP-60E.

**Model QP-LED303** is use with WAC the quick connect adapters: Solorail™ (LM), Duorail™ (LM2), Canopies (QMP), Line Voltage Tracks (H, J, L), Flexrail1™ (HM1)

**QUICK CONNECT™ ADAPTER** (order separately)

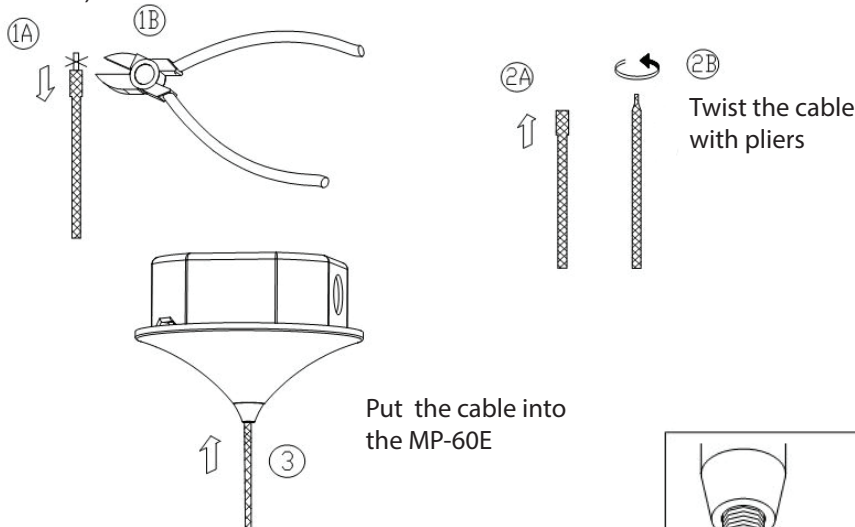
Solorail (LM) Adapter: LM-QADP  
 Duorail (LM) Adapter: LM2-QADP  
 Flexrail1 (HM1) Adapter: HM1-EN50  
 Line Voltage Track (H, J, L) Adapter: EN-HQ50AR, EN-JQ50AR, EN-LQ50AR

**INSTALLING SHADE:**

Position Socket Set **LED303** so that threads through the hole in the shade and screw on Ring from below by finger or Ring Tool. (See diagram).

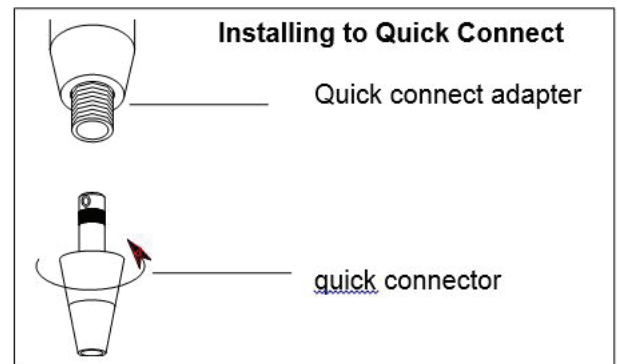
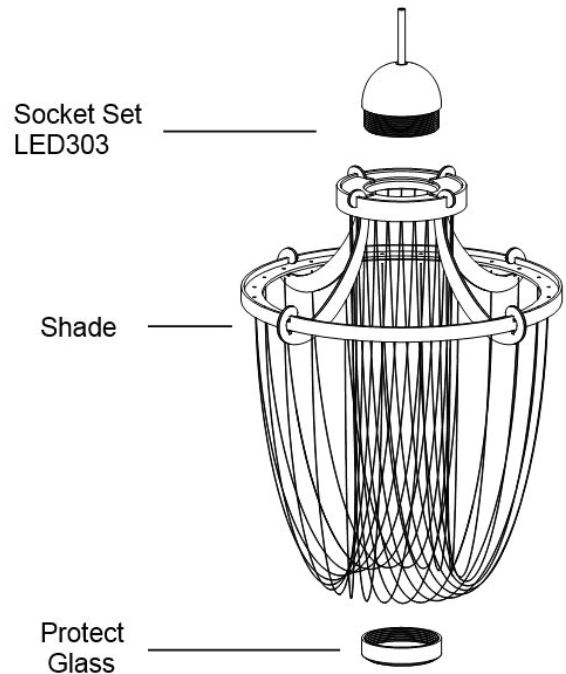
**For model MP-LED303:**

Put the knitted cable from the Socket Set into the cable grip (according to the steps 1,2,3, shown in the picture below)



**For model QP-LED303:**

1. Insert the post of the quick connect into the quick connect adapter.
2. Thread the top half of the conical section until it is flush with the adapter.
3. Adjust fixture position, but use caution not to loosen the conical section.



**WAC Lighting**  
 www.waclighting.com  
 Phone (800) 526.2588 • Fax (800) 526.2585

**Headquarters/Eastern Distribution Center**  
 44 Harbor Park Drive • Port Washington, NY 11050  
 Phone (516) 515.5000 • Fax (516) 515.5050

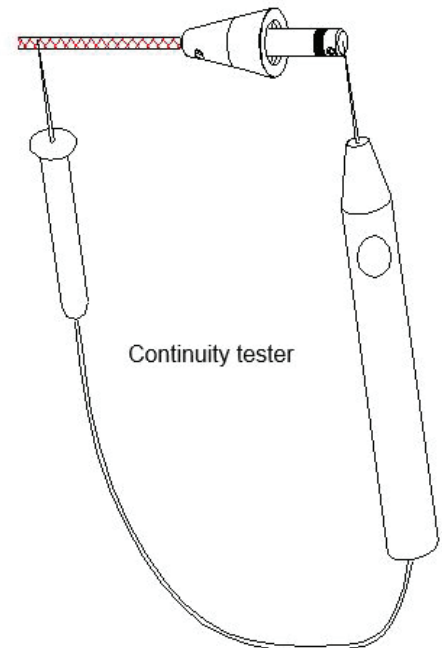
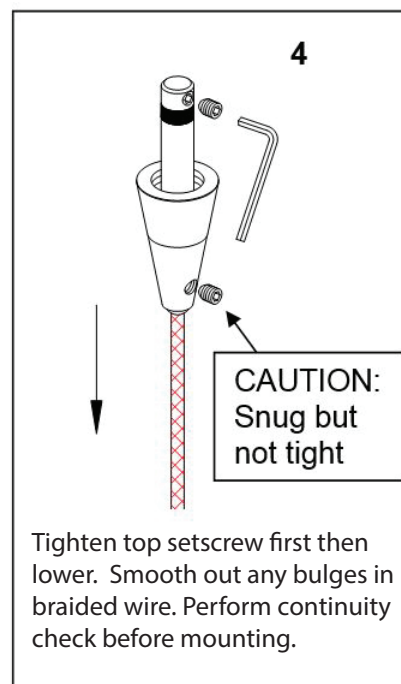
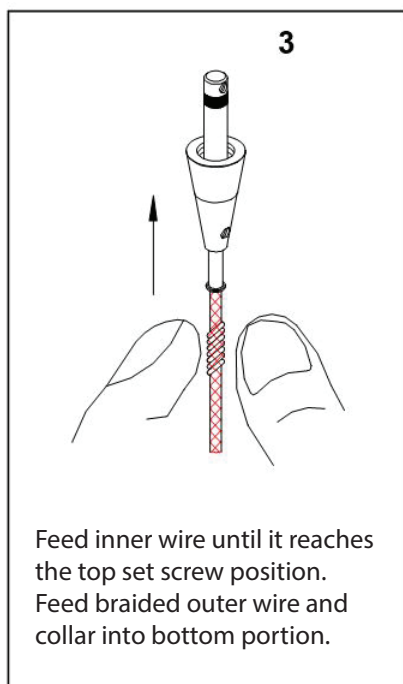
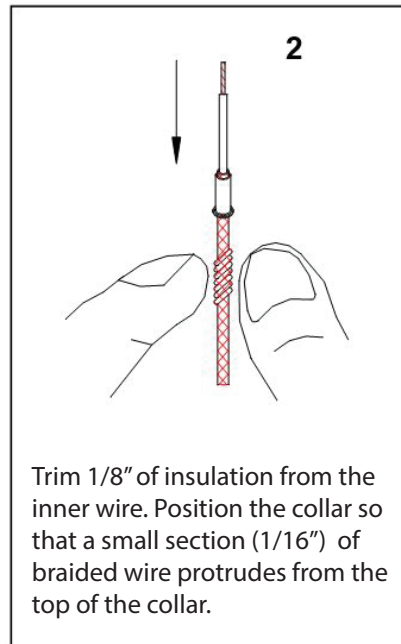
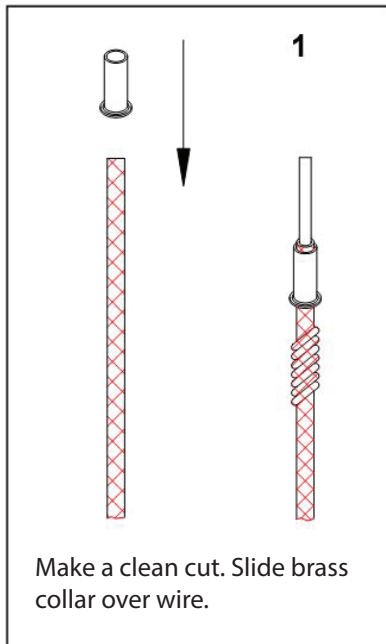
**Western Distribution Center**  
 1750 Archibald Ave • Ontario, CA 91761  
 Phone (800) 526.2588 • Fax (800) 526.2585

INSTALLATION INSTRUCTION  
**300 Series LED Quick Connect™ Socket Set**  
QP-LED303, MP-LED303

WAC LIGHTING  
Responsible Lighting®

**TO INSTALL / SHORTEN THE CABLE:**

Feed the cable end through the Top Conical section and the metal finial. If cable needs to be shortened, make the cut now. To install the top conical section, follow the step-by-step instructions bellow. **NOTE: PENDANT CABLES ARE CO-AXIAL, IF THE LOWER SCREW IN STEP 4 IS MADE TOO TIGHT, THE INNER AN OUTER WIRE WILL SHORT. A SHORT CIRCUIT WILL RENDER THE ENTIRE SYSTEM IN-OPERATIVE AND POSSIBLY DAMAGE THE TRANSFORMER. CHECK ALL PENDANT SPLICES FOR CONTINUITY BEFORE INSTALLING.**



**CHECK SPLICE:**

There should now be continuity, indicating a completed circuit.

Install with power off.

WAC Lighting  
www.waclighting.com  
Phone (800) 526.2588 • Fax (800) 526.2585

Headquarters/Eastern Distribution Center  
44 Harbor Park Drive • Port Washington, NY 11050  
Phone (516) 515.5000 • Fax (516) 515.5050

Western Distribution Center  
1750 Archibald Ave • Ontario, CA 91761  
Phone (800) 526.2588 • Fax (800) 526.2585

# INSTALLATION INSTRUCTION

## Quick Adjust™ Pendant Canopy

MP-60E

WAC LIGHTING  
Responsible Lighting®

### SAFETY INSTRUCTION

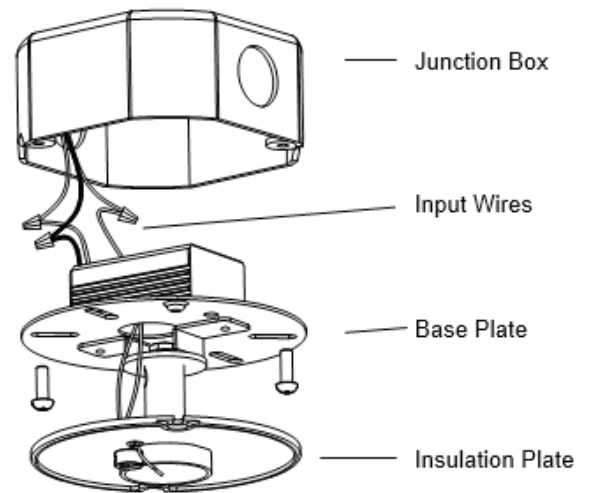
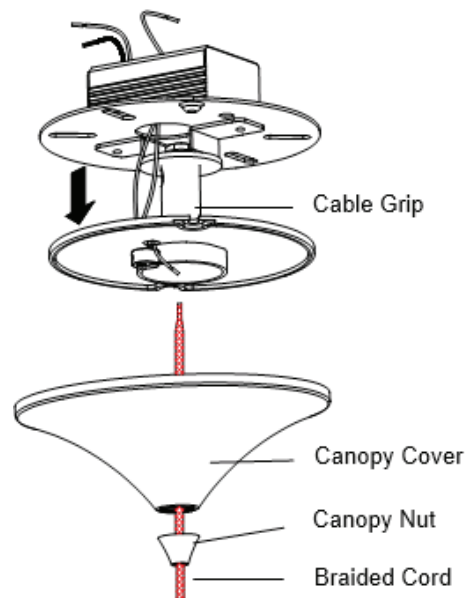
- Do not conceal or extend exposed conductors through a building wall.
- Do not install this system in wet locations.
- To reduce the risk of fire and burns, do not install this lighting system where the exposed bare conductors can be shorted or contact any conductive materials.
- Make sure all connections are tight.
- Do not install any luminaire closer than 6 inches from any curtain, or similar combustible materials.
- Turn off electrical power before modifying the lighting system in any way.
- Install over a standard 4 inch junction box.

### OVERVIEW

MP-60E canopy designed to fit all WAC Pendants. Uses a 50 watt max halogen lamp.

The pendant weight should be no more than 5 pounds. MP-60E canopy comes with a self-contained electronic transformer that may be dimmed with an electronic low voltage dimmer switch.

1. Unscrew "canopy nut" and remove "canopy cover" from the threaded cable grip.
2. Pull down the "insulation plate".
3. Support canopy and guide the black and white wires from the transformer into the junction box.
4. Connect ground wire from junction box to the green grounding wire from the base plate.
5. Connect corresponding line volt wires from the junction box to transformer wires (white wire connect to white wire and black wire connect to black wire), with wire nuts (supplied). Tuck excess wire into the junction box.
6. Attach the "base plate" to the junction box using the slotted holes and screws.
7. Re-attach "insulation plate".



WAC Lighting  
www.waclighting.com  
Phone (800) 526.2588 • Fax (800) 526.2585

Headquarters/Eastern Distribution Center  
44 Harbor Park Drive • Port Washington, NY 11050  
Phone (516) 515.5000 • Fax (516) 515.5050

Western Distribution Center  
1750 Archibald Ave • Ontario, CA 91761  
Phone (800) 526.2588 • Fax (800) 526.2585

# INSTALLATION INSTRUCTION

## Quick Adjust™ Pendant Canopy

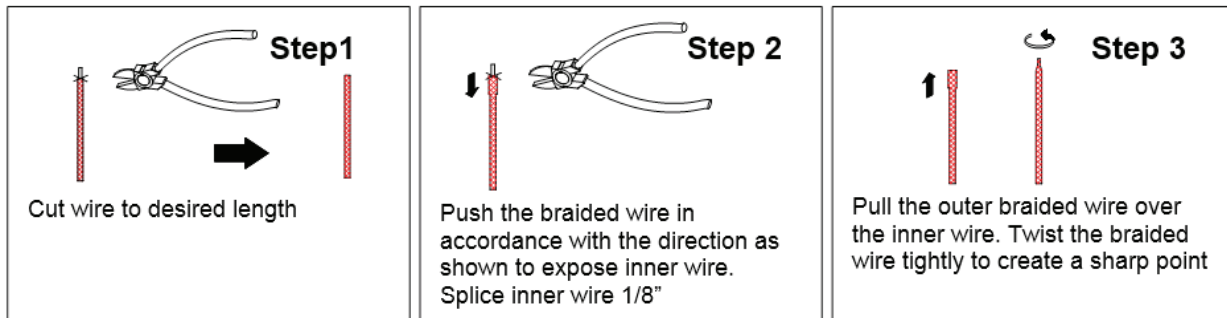
MP-60E

# WAC LIGHTING

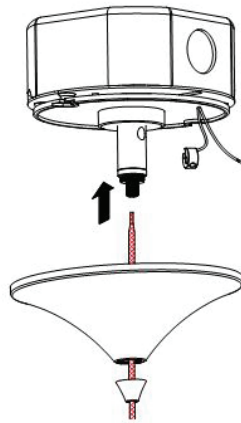
Responsible Lighting®

### PENDANT INSTALLATION

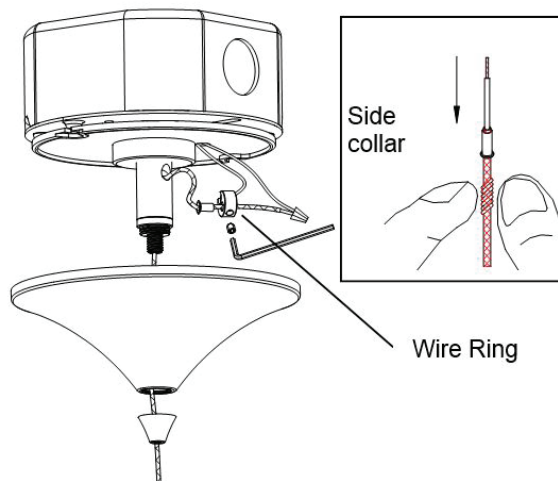
1. Make the desired cut of the "braided cord" for proper mounting height. Trim 1/8" of insulation from the inner wire.



2. Feed the "braided cord" through "canopy nut" and "canopy cover". Push up the "cable grip" top and feed the braided cord until 3" braided cord comes out from side hole.



3. Position the "side collar" (supplied) so that a small section (1/16") of "braided cord" protrudes from the top of the collar.
4. Feed the "braided cord" and "side collar" into the end of the "wire ring" and tighten the set screw with allen wrench (supplied).
5. Use wire nuts (supplied) to connect the protruding braid cord to the wire coming from the transformer.
6. Raise the "canopy cover" and make sure that wires are contained in the "canopy cover".
7. Tighten "canopy nut".



WAC Lighting  
www.waclighting.com  
Phone (800) 526.2588 • Fax (800) 526.2585

Headquarters/Eastern Distribution Center  
44 Harbor Park Drive • Port Washington, NY 11050  
Phone (516) 515.5000 • Fax (516) 515.5050

Western Distribution Center  
1750 Archibald Ave • Ontario, CA 91761  
Phone (800) 526.2588 • Fax (800) 526.2585