

INSTALLATION INSTRUCTION

Duorail™ - Variable Angle Connector

LM2-SCP

WAC LIGHTING
Responsible Lighting®

CAUTION:

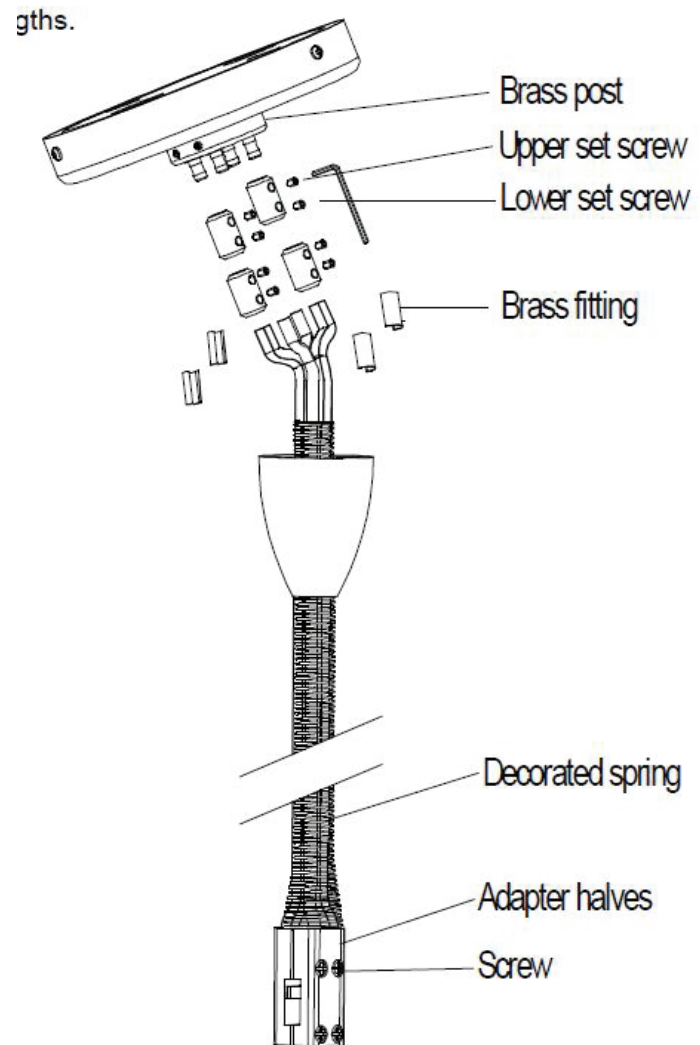
- Read all instructions.
- Turn off power at main switch before installing or modifying the system.
- Do not install the system:
 - Within six inches of any curtain or combustible materials
 - Less than 5 feet above a floor
 - In a damp or wet location
 - Concealed, or extended through building walls.
- After first 1/2 hour of operation, switch off and check all connections for excessive heat.
- Loose connections must be tightened to prevent overheating which can damage the system and pose a potential fire hazard. Do not over tighten.
- Intended for installation by a qualified electrician.
- Installation should be in accordance with NEC and local codes. Use minimum AWG #10 wire for secondary wiring.

OVERVIEW:

The LM2-SCP is designed to bring power from a surface mounted transformer to the Duo rail, when the transformer is mounted on a slopped ceiling. The flexible 10-gauge wire accommodates all ceiling pitches and is available in 48" and 96" lengths.

INSTALLING:

1. Install surface mount transformer according to instructions supplied with the transformer.
2. Loosen the setscrews from the power feed adapter supplied with the transformer.
3. Remove the adapter, it is no longer needed.
4. The remaining brass posts will be the attachment point for the new wire.
5. Attach the ends of the wires to the couplers and tighten the lower set screw.
6. Note: Wires are supplied with soldered ends. If field cutting the wire, brass crimp fittings are supplied. Crimp the fittings to each wire end.
7. Mount the couplers to the brass post and secure the upper set screws.
8. Mount the lower adapter to the rail by loosening the screw and slipping both halves over the rail, then retighten.
9. After the first 1/2 hour of operation, switch off and check connections for excessive heat or color distortion. Low voltage systems operate at higher amperage, which requires secure connections. A loose connection can lead to system damage and potential fire hazard. Correct by tightening, but do not over tighten. The recheck the hot spot to make certain it's corrected



WAC Lighting
www.waclighting.com
Phone (800) 526.2588 • Fax (800) 526.2585

Headquarters/Eastern Distribution Center
44 Harbor Park Drive • Port Washington, NY 11050
Phone (516) 515.5000 • Fax (516) 515.5050

Western Distribution Center
1750 Archibald Ave • Ontario, CA 91761
Phone (800) 526.2588 • Fax (800) 526.2585